

2023

  
**Hideaway**<sup>®</sup>

*Sort, store and recycle with  
a Hideaway Bin.*

**Concelo**<sup>®</sup>

BY HIDEAWAY

*New Zealand Made, Award Winning Bins*

**HÄFELE**

  
NEW  
ZEALAND  
MADE<sup>®</sup>





**HIDEAWAY™ BINS**  
EFFICIENCY, SUSTAINABILITY  
AND LIFESTYLE



**Manage, sort and store your waste, recycling and laundry with Hideaway.**

We are industry leaders in designing practical hidden storage systems that suit your lifestyle. Hideaway Bins offer solutions for everything from hygienically disposing of waste and sorting your recycling to separating and storing your laundry.

A Hideaway Bin solution will help you create sustainable waste and recycling practices in your household with as little impact to your lifestyle as possible. A key to improving recycling and reducing waste is having a good waste management system.

**Did you know that your bin is one of the most used appliances in your home?**

With that in mind, it's important to choose a bin system that's simple to use, durable, easy to clean and one that makes your everyday waste and recycling routine effortless.

Hideaway Bins are all made in New Zealand, and have built an enviable reputation for quality and durability.

Hideaway's intelligently designed ranges include: the award winning Concelo® range, Hideaway Compact and Hideaway Compact Floor Mount. With each of the ranges offering distinctive features, there is sure to be a Hideaway Bin to suit the requirements of any residential or commercial project.

To assist you in choosing the right bin to suit your lifestyle, see the Waste Management Guide in this brochure and decide which Hideaway Bin is the right solution for you.

Find out more by visiting:  
[hideawaybins.com.au](http://hideawaybins.com.au)



kitchen



bathroom



laundry



commercial



motorhome



recycling station

WHAT SEPARATES **HIDEAWAY BINS** FROM THE REST?



**BENCH HEIGHT INSTALLATION**

Most Hideaway Bins have the option of being mounted to the top of kitchen cabinets directly under the benchtop. This means the bins are at the optimal height for clearing waste directly off a benchtop. This reduces the amount of bending required when disposing of waste - remember, your waste bin is one of the appliances you use most in the kitchen.



**BUILT-IN ACTIVE LID**

Hideaway is the pioneer of waste bins with a built-in self closing lid. When you have a handful of rubbish, you don't want to be juggling between opening a door and lifting a lid while trying not to spill rubbish.

The Concelo range has an Active Lid mounted to the top of the bin system inside the cabinet. The Active Lid closes itself onto the buckets when the bin is closed to control odours and moisture while still keeping your hands free.



**EASY ACCESS TO REAR BUCKET**

All Hideaway Bins are designed with over extension runners. This makes it easy to remove or empty the bin without having to compromise on space or ergonomics. The rear bucket can be removed independently of the front bucket from beneath the bench top.



**FLEXIBLE MOUNTING OPTIONS**

Hideaway Bins are designed with a range of mounting options to suit the environment they are installed within. Top mounting for easy access, side mounting for additional support and floor mounting for flexibility in compact spaces.



# WASTE MANAGEMENT GUIDE



## HOW MANY BUCKETS?

The number of buckets required depends on how many waste streams the waste needs to be separated into, and where those waste streams go.

Check with your local council: what is collected by local councils now, and what is planned for the future? Some councils use a commingled recycling system, while others separate recycling. Many councils are introducing organic (food scrap) collections in the future.

Consider your lifestyle – do you want to home compost food scraps? Would you like to separate soft plastics for recycling?



## BIN PLACEMENT

Consider where waste is generated in your home, and where space is available to collect waste.

- **60-70% of all household waste is generated in the kitchen**, making it critical to consider the optimal waste management system for this area.
- Will all kitchen waste buckets be combined in one bin unit or be separated into two bin units? Using two bin units allows greater design flexibility.
- Consider ergonomics: keep in mind the bin is used 30+ times per day. Installing at bench height is recommended.
- Waste is also generated in the bathroom, and this typically includes items that can be recycled.



## FEATURES OF BIN SYSTEM

An important part of the waste management equation is a durable, flexible and easy to clean bin system for your home.

Dealing with rubbish is dirty and smelly. To combat this, Concelo bins are easy to clean, virtually eliminating troublesome dirt traps, which can cause maintenance issues later if left unchecked. Concelo bins also have an innovative hands-free Active lid system to control odours and moisture.



Concelo's Clip'n'Clean System. See page 12 for more info.

## WHAT SIZE BUCKET?

Calculate the volume of waste your family produces each week:

Based on 60 litres of waste per person, per week, categorised into: landfill, recycling, glass and compost.

**X EMPTIED EXAMPLE:** shows a 4 x 16L bin system, and how often would you need to empty your bin system each week. Separating your waste into more collection streams increases recycling and means fewer bin empties.

Note: Co-mingled recycling volume consists of Paper/Card (16%), Cans (9%), Plastic (16%).

Consider a quad bucket system to separate your waste into the different collection streams. See next page for more info.

No. PEOPLE	X EMPTIED	COMPOST	GLASS	LANDFILL	RECYCLING
60L (each)	100%	7%	11%	43%	39%
1 (60L)	1x (64L)	4L	6.5L	26L	23.5L
2 (120L)	2x (128L)	8L	13L	52L	47L
4 (240L)	4x (256L)	16L	26L	104L	94L
6 (360L)	6x (384L)	24L	39L	156L	141L
8 (480L)	8x (512L)	32L	52L	208L	188L







## SEPARATE WASTE & RECYCLING

CR600-213-216D-W / 503.64.752

## CONCELO RECYCLING UNITS

With many councils collecting 3 or 4 separate types of waste and recycling, there is an increasing need for an easier way to separate waste conveniently within the kitchen.

Introducing the new Concelo CR600 models, our first ever 4-bucket-in-one waste bins. These have been developed to allow waste to be easily separated into four waste and recycling buckets in one convenient unit that fits into a standard 600mm-wide kitchen cabinet. Available in a range of bucket sizes with up to 64L total capacity.

Alternatively, some Concelo models can be stacked in a cabinet to provide a 4-bucket solution in a narrow 350 or 400mm cabinet.

Or a small twin bin can be positioned next to the sink, for landfill and food scraps, while a larger bin can be positioned elsewhere in the kitchen or scullery for recycling.

See pages 17-19 for Concelo range.



CR600-413D-W / 503.64.750



2 x CR350-213D-W / 503.64.732



2 x CR450-235D-C / 503.64.624

## COLOUR CODED LINER HOLDERS

Create a simple, sustainable waste management system in your home or office with the new colour coded Hideaway Liner Holders. These liner holders are compatible with Concelo and Compact bucket sizes: 13L, 15L, 16L, 20L and 35L. Use these coloured liner holders to correctly sort your waste and recycling streams.

Available to purchase as a separate accessory. See page 31 for accessory details.



**Red**  
landfill



**Green**  
food scraps



**Yellow**  
recyclables



**Blue**  
paper/cardboard



Please note: Check with your local council or waste collection service for the specific colours used in your area. Each region or council may use different colours for different waste streams eg blue can sometimes represent paper collection, rather than glass.





## HIDDEN RECYCLING STATION

CR350-135D-W / 503.54.792  
CR350-213D-W / 503.64.732

## COMMERCIAL RECYCLING

Sustainable recycling practices in the workplace begin with making your recycling solution easy to use, durable and hygienic while remaining design-focused.



### Hidden from sight

Recycling bins placed in walkways can look unhygienic and be a real eye-sore. Integrate a hidden recycling station into a commercial environment to ensure a professional workplace with design front of mind.

### Durability

Commercial environments are high use and very demanding. The Concelo range has been designed with quality materials to ensure the units withstand these challenges.

All Concelo plastic components are made from virgin material, which means the strength of the components is not compromised by using fillers. At the end of their life cycle, all polypropylene parts are fully recyclable to ensure minimal impact on the environment.

Concelo uses German-made soft close runners that are rated to 45kg and use an innovative mounting system to make runner servicing easier.

### Smart Design Features

With the large volumes of waste generated, hygiene and the control of odours is paramount within a commercial space. The Active Lid system controls odours and moisture and is hands-free, meaning minimum contact. The Clip'n'Clean system makes it much easier to clean and maintain hygiene standards.

See the Concelo range (page 17-20) for more details.



**COLOURED LINER HOLDERS**  
TO SORT RECYCLING CORRECTLY





CR350-213D-C / 503.64.632  
CR350-135D-C / 503.54.692

Concelo.<sup>®</sup>  
BY HIDEAWAY

MULTI-AWARD WINNING BIN RANGE

## CONCELO<sup>®</sup> REDEFINES WHAT YOU SHOULD EXPECT FROM YOUR MOST USED APPLIANCE

Concelo, Hideaway's premium bin range and the new standard in waste bins and laundry hampers.

The Concelo range is the result of seven years of research, development and testing. It builds on Hideaway's strong heritage of quality and innovation to create the next generation of premium hidden storage solutions.

The Concelo range has been designed to deliver a waste bin and laundry hamper without compromise. Every element of the range has been engineered and tested to ensure it delivers both the form

and function that should be expected from a premium home appliance.

Concelo boasts not just a clean design aesthetic, but its Clip 'n' Clean features help keep your bin looking and smelling clean.

Managing waste can be a challenge, but Concelo is the easiest bin in the world to keep clean, while its Active Lid helps control odours.

It not only takes all the best features you would expect from Hideaway and improves them, but it totally redefines what you should expect from your bin solution, wherever you need it.



reddot award 2019  
winner



AWISA 2018  
GOLD STAR WINNER  
FOR INNOVATIVE TECHNOLOGY



PATENT PENDING: [concelo.com/ip](http://concelo.com/ip)

"A sophisticated product solution, this kitchen waste bin convinces thanks to its automatic, odour controlling closing mechanism."

- Judge's comment, Germany 2019

"Concelo is clever, smart, well designed and is superior to every other waste system on the market."

- Judge's comment, Australia 2018



# CLIP'N'CLEAN SYSTEM

Concelo's unique Clip'n'Clean System creates a painless cleaning process in just 3 simple steps:

- 1 Effortless removal
- 2 Washing in warm soapy water
- 3 Reinstallation within moments

Concelo Easy Clean



SCAN ME

Concelo Active Lid



SCAN ME

# ACTIVE LID SYSTEM

Managing waste can be a challenge, especially the smell. Concelo overcomes this with its Active Lid designed to help control odours and moisture.

The Active Lid is hidden from sight at the top of the bin inside the cabinet, and drops down to close over the buckets when the unit is closed.

The motion of the lid is synchronized with the opening and closing action of the unit, which lets you keep your hands free to simply drop waste into the bin.

The Active Lid has been designed so that it can very easily be removed and re-installed with the help of a cleverly designed lid tool!

ACTIVE LID DROPS DOWN OVER THE BUCKET WHEN THE BIN IS CLOSED



## Concelo.

THE PERFECT WASTE SOLUTION FOR THE

# HOME OWNER

No more dirt traps!

Clip'n'Clean components allow easy access to clean between the bin frame and door front.



Concelo.

A PREMIUM OPTION FOR THE

# DESIGNER

Give the homeowner a waste management system that functions effortlessly without compromising your modern kitchen design.



**Bench height installation**  
Optimal height for clearing waste off the bench. No bending to place waste in buckets or remove buckets for emptying.

## SOPHISTICATED DESIGN FEATURES

A bin range with design front of mind. Sophisticated features, modern colour options and clean, concealed componentry.

Concelo in Arctic White makes it possible to have a premium bin system that matches ever popular white drawer systems. With easy clean components, it's possible to keep it looking crisp and white. While the Cinder colour matches the trend for dark grey kitchen components and cabinetry.

Concelo's versatile measurements for differing cabinet widths gives you the flexibility to choose a model that fits single, 50/50, 60/40 or 2/3 to 1/3 drawer spits to match design preferences.

See additional features on pages 11/12 that the homeowner will love when you specify Concelo.

Scan this code to view testimonials from kitchen designers who have used Concelo in their projects.

Concelo testimonials from Toni Roberts, director of Kitchen Architecture and Celia Visser, director of Celia Visser Design.

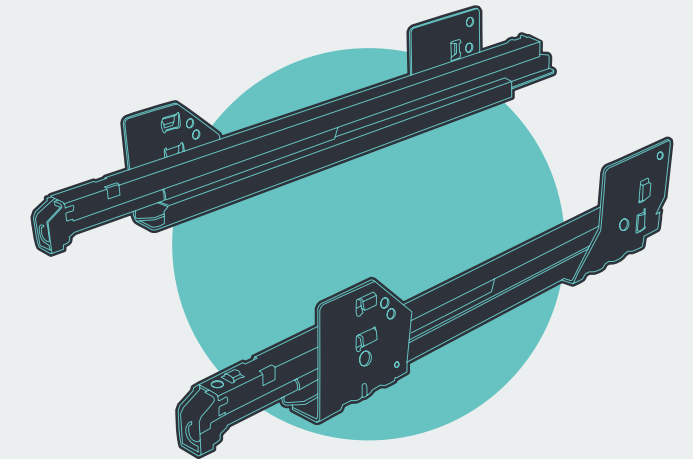


SCAN ME

## GERMAN SYNCHRONISED OVER EXTENSION RUNNER

Häfele Matrix Runners - smooth synchronised runners with fluid damper for seamless quiet closing action – 45kg dynamic weight rating. Beautiful, sophisticated runners, equal to other premium drawers.

The over extension runner allows for easy access to the back bucket with bench height installation.

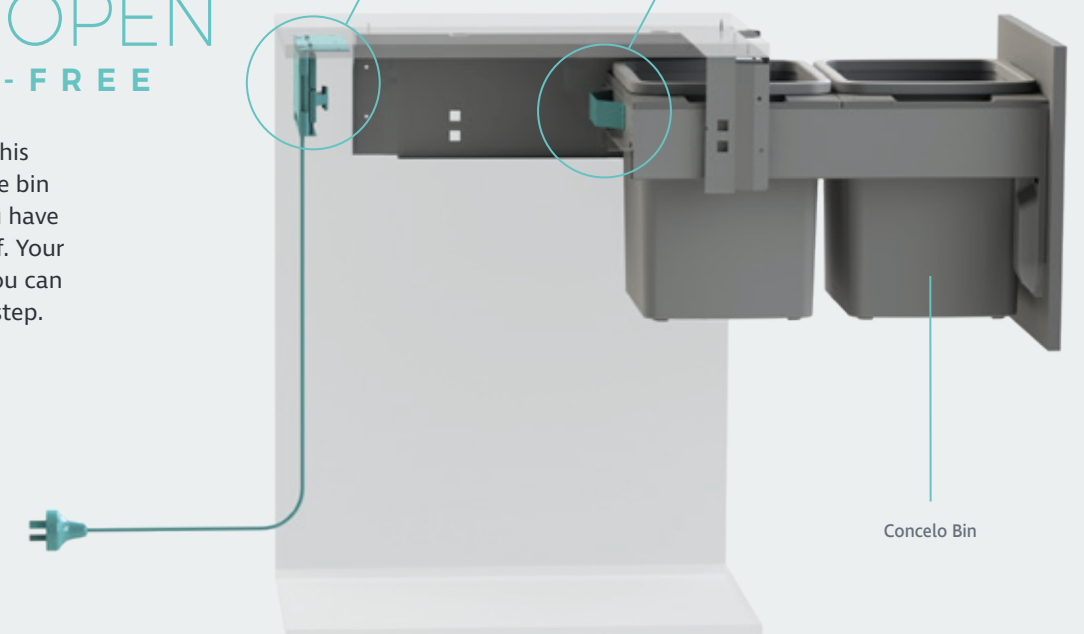


## COMPATIBLE WITH ELECTRONIC PUSH TO OPEN TRUE HANDS-FREE

Combined with the Active Lid, this provides the ultimate hands free bin which is so important when you have a handful of waste to dispose of. Your drawer front stays clean, and you can simply dispose of waste in one step.

See accessory pages for more information.

Häfele Electronic Push To Open Kit 553.00.492	Concelo Push to Open Bracket (if required) White / 503.53.799 Cinder / 503.53.699
--	---





Concelo.

AN EASY INSTALLATION FOR THE

# TRADE

The trade spoke and Hideaway listened. Concelo® waste bins are designed for ease of installation.



kitchen



commercial



recycle station



10 YEAR WARRANTY

View how simple Concelo is to install



SCAN ME

Concelo testimonial from Richard Cripps, director of Kitchens by Design

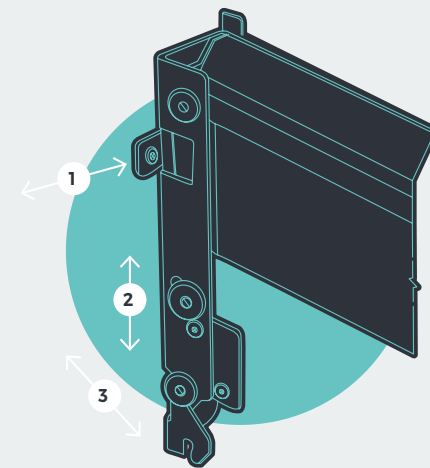


SCAN ME

## PRECISE SECURE DOOR ADJUSTMENT

2-piece door bracket design provides simple yet precise 6-way door adjustment with **LOCKING BOLT SYSTEM** to lock door position in place.

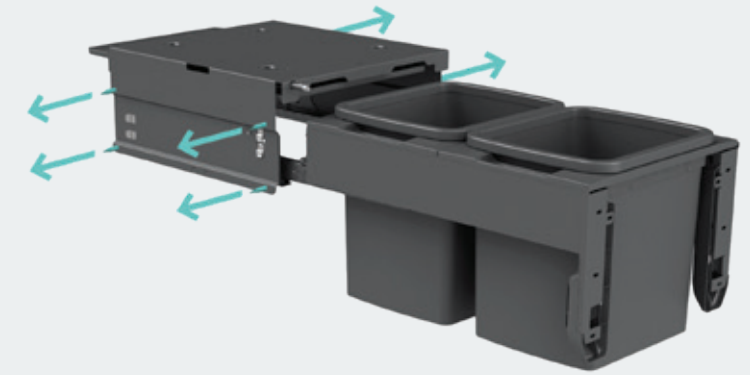
1. Horizontal adjustment +/- 2.5mm
2. Vertical adjustment +/- 2.5mm
3. Tilt adjustment +/- 0.75 degrees



## FLEXIBLE MOUNTING OPTIONS

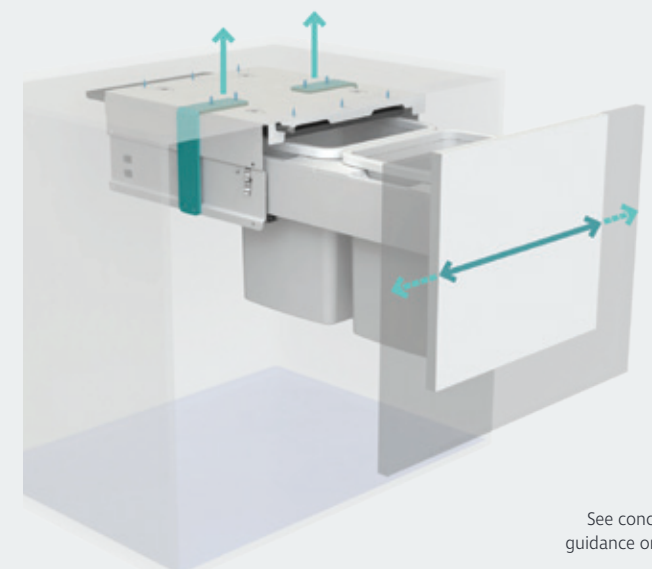
### System 32 Side Mounting

Concelo has been designed with simplicity in mind. The entire range uses one System 32 drilling pattern to mount to the sides of the cabinet using high strength Euro screws. All models fit straight into standard cabinet widths with 16mm sides.



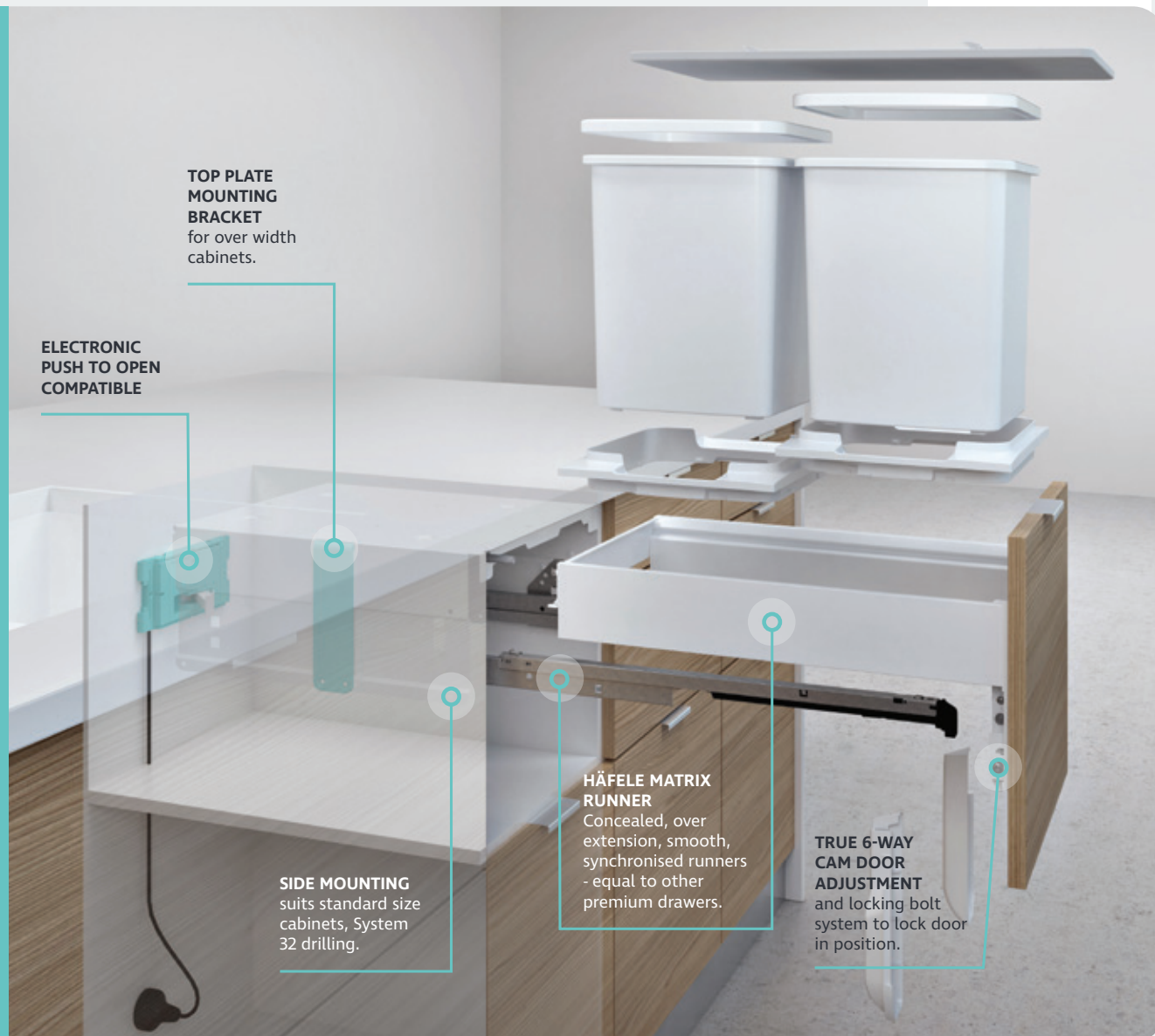
### Top Mounting for over width cabinets

Concelo has been engineered to give design flexibility when needed. Concelo waste bins (excluding CR600 models) can be installed in over width cabinets by mounting to the top of the cabinet using the **CRTMB Top Mount Brackets**. This gives freedom to place the bin in the ideal position without compromising strength or rigidity, and no need for packers. This is particularly useful for retrofit situations.



See [concelo.com](http://concelo.com) for guidance on maximum door sizes.

CONCELO WASTE BIN FEATURES



**TOP PLATE MOUNTING BRACKET** for over width cabinets.

**ELECTRONIC PUSH TO OPEN COMPATIBLE**

**HÄFELE MATRIX RUNNER**  
Concealed, over extension, smooth, synchronised runners - equal to other premium drawers.

**TRUE 6-WAY CAM DOOR ADJUSTMENT** and locking bolt system to lock door in position.

**SIDE MOUNTING** suits standard size cabinets, System 32 drilling.

## TECH SPECS FOR ALL MODELS

**Pull Type:** Door.

### Premium Soft Close Runners

Häfele Matrix runner. German made, 45kg soft close synchronized over extension runner with fluid damper, equal to premium drawers.

### Materials:

Frame – 1.0mm zinc treated steel, powder coated.

Drawer sides – aluminium, powder coated. Concealed runners.

Active Lid / Clip'n'Clean Trays / buckets / liner holders – recyclable food grade, polypropylene.

### Electronic Push To Open

Refer to accessory pages for more information.

### Bench Overhang Clearance

See page 17, 18 and 19 for technical information.



# CONCELO® WASTE & RECYCLING

**BENCH OVERHANG CLEARANCE** Concelo Bins have been designed with over extension drawer runners which allow for a bench overhang of up to 40mm and 110mm on CR350-135D, allowing the back bucket to come clear independent of the front bucket. If more bench overhang clearance is required, please mount the bin lower in the cabinet. **See page 31 for details about our Concelo accessories.**

\*Allows for 16mm shelf. Assumes 16mm carcass.

## 2 x 13 LITRE *BUCKETS*

Suitable for Minimum\* Cabinet Width: 350mm

Minimum Internal Cabinet Dimensions: (WxHxD)mm 318 x 335 x 525

Designed to fit behind 50/50 drawer fronts. 2 x units can be installed within a 720mm standard carcass height providing a 4-bin recycling solution.



26L  
CAPACITY



CR350-213D-W  
503.64.732

CR350-213D-C  
503.64.632

## 2 x 20 LITRE *BUCKETS*

Suitable for Minimum\* Cabinet Width: 400mm

Minimum Internal Cabinet Dimensions: (WxHxD)mm 368 x 440 x 525



40L  
CAPACITY



CR400-220D-W  
503.64.713

CR400-220D-C  
503.64.613

## 2 x 15 LITRE *BUCKETS*

Suitable for Minimum\* Cabinet Width: 400mm

Minimum Internal Cabinet Dimensions: (WxHxD)mm 368 x 335 x 525

2 x units can be installed within a 720mm standard carcass height providing a 4-bin recycling solution.



30L  
CAPACITY



CR400-215D-W  
503.64.703

CR400-215D-C  
503.64.603

## 2 x 35 LITRE *BUCKETS*

Suitable for Minimum\* Cabinet Width: 450mm

Minimum Internal Cabinet Dimensions: (WxHxD)mm 418 x 640 x 525

Bucket features unique air vent† system that allows trapped air to escape through vents as your bin liner is pushed into the bucket cavity.



70L  
CAPACITY



CR450-235D-W  
503.64.724

CR450-235D-C  
503.64.624

## 2 x 16 LITRE *BUCKETS*

Suitable for Minimum\* Cabinet Width: 350mm

Minimum Internal Cabinet Dimensions: (WxHxD)mm 318 x 415 x 525

Allows for the option of either a 2/3 to 1/3 or 60/40 split in drawers to match design preference.



32L  
CAPACITY



CR350-216D-W  
503.54.782

CR350-216D-C  
503.54.682

## 1 x 35 LITRE *BUCKETS*

Suitable for Minimum\* Cabinet Width: 350mm

Minimum Internal Cabinet Dimensions: (WxHxD)mm 318 x 640 x 525

Bucket features unique air vent† system that allows trapped air to escape through vents as your bin liner is pushed into the bucket cavity.



35L  
CAPACITY



CR350-135D-W  
503.54.792

CR350-135D-C  
503.54.692



# CONCELO® WASTE & RECYCLING

## 4 x 13 LITRE BUCKETS

Suitable for Minimum\* Cabinet Width: 600mm  
Minimum Internal Cabinet Dimensions: (WxHxD)mm 568 x 335 x 525

Designed to fit behind 50/50 drawer fronts, providing 4-bin recycling solution. Active Lid sits over the front and rear left-hand buckets when closed.



CR600-413D-W  
503.64.750

CR600-413D-C  
503.64.650

## 4 x 16 LITRE BUCKETS

Suitable for Minimum\* Cabinet Width: 600mm  
Minimum Internal Cabinet Dimensions: (WxHxD)mm 568 x 415 x 525

Designed to fit behind 60/40 or 2/3 to 1/3 drawer front split, providing 4-bin recycling solution. Active Lid sits over the front and rear left-hand buckets when closed.



CR600-416D-W  
503.64.751

CR600-416D-C  
503.64.651

## 2 x 13 + 2 x 16 LITRE BUCKETS

Suitable for Minimum\* Cabinet Width: 600mm  
Minimum Internal Cabinet Dimensions: (WxHxD)mm 568 x 415 x 525

Designed to fit behind 60/40 or 2/3 to 1/3 drawer front split, providing 4-bin recycling solution. Active Lid sits over the front and rear left-hand buckets when closed.



CR600-213-216D-W  
503.64.752

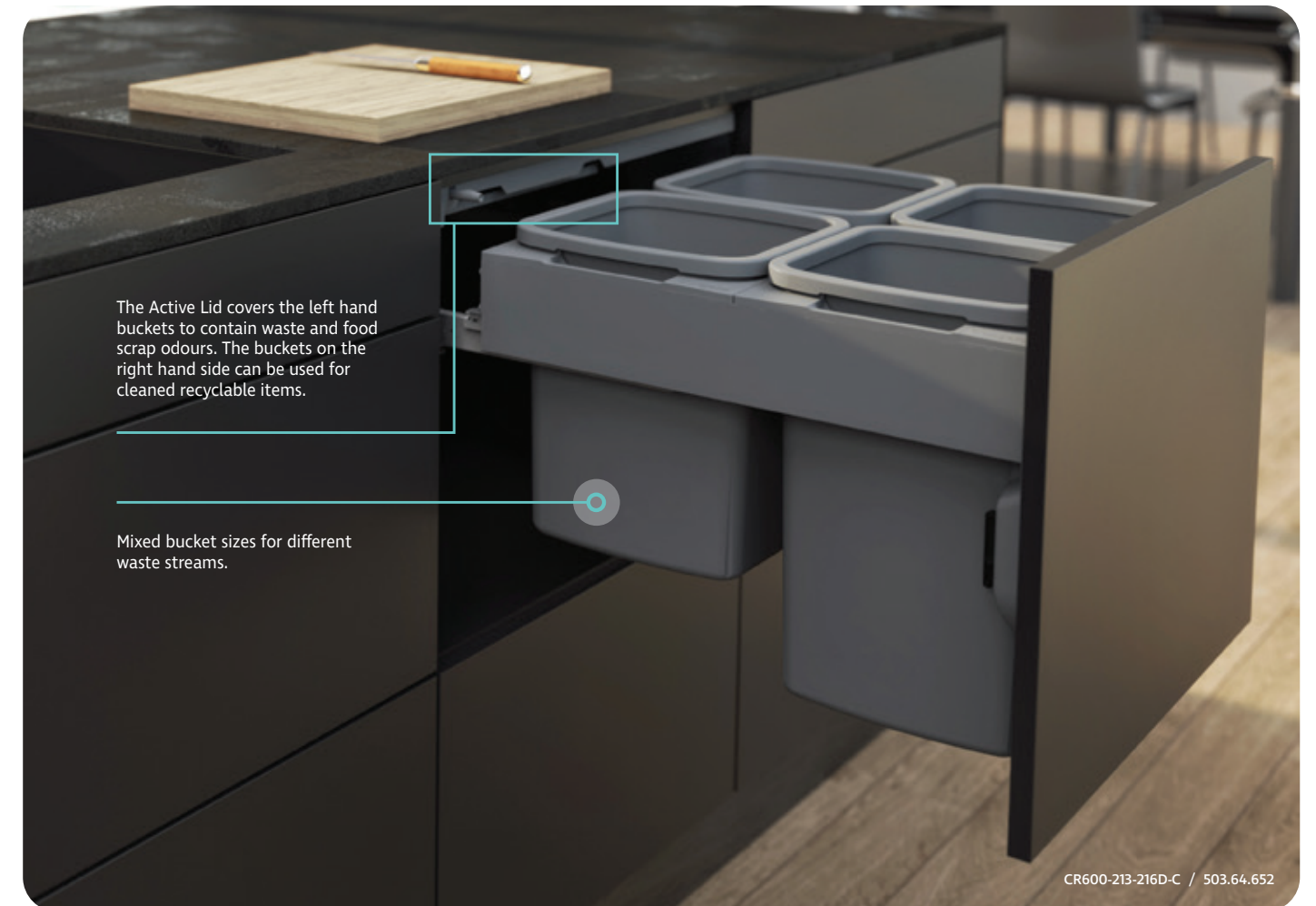
CR600-213-216D-C  
503.64.652

**BENCH OVERHANG CLEARANCE** Concelo Bins have been designed with over extension drawer runners which allow for a bench overhang of up to 40mm and 110mm on CR350-135D, allowing the back bucket to come clear independent of the front bucket. If more bench overhang clearance is required, please mount the bin lower in the cabinet. See page 31 for details about our Concelo accessories.

\*Allows for 16mm shelf. Assumes 16mm carcass.



CR600-413D-W / 503.64.750



CR600-213-216D-C / 503.64.652





# Concelo®

BY HIDEAWAY

## LAUNDRY HAMPER RANGE

**Concelo® Laundry Hampers offer a sophisticated storage solution. Based on the same platform as the Red Dot award-winning Concelo® Waste Bin, the Concelo® Laundry system continues to raise the bar in what should be expected from a laundry hamper.**

Hide your laundry, store your extra linen or use as a removable washing basket. Concelo Laundry Hampers can also be integrated into wardrobe or bathroom cabinetry to discreetly hide laundry.

Concelo Laundry Hampers are available in three models. The large 60L hamper is big enough to cope with a family load of washing and the 35L hampers maximise space while still offering excellent

storage capacity. Two 60L hampers can be installed side by side in your laundry to separate washing or choose the 1 x 35L or 2 x 35L hampers when space is at a premium.

Concelo Laundry hampers have been designed to deal with the humidity and moisture of the laundry environment.

The light-weight hampers are easy to remove and feature air vents to reduce moisture and a solid base to prevent drips. The hampers are supported by Clip'n'Clean trays, which are moulded from durable polypropylene, which will never rust or corrode.

Ergonomic and functional, Concelo hampers are designed to withstand the weight of wet washing and still look good doing it - a must for your laundry!







CRL350-135D-W / 503.55.764



CRL450-160D-C / 503.55.685  
CRL450-160D-W / 503.55.785

### LAUNDRY CHUTE

The Concelo 1 x 60L Laundry Hamper is ideal for use under a laundry chute.

**HAMPER OPENING:**  
(WxD)mm 320 x 400



# CONCELO® LAUNDRY HAMPERS

## 1 x 35 LITRE HAMPER

Suitable for Minimum\* Cabinet Width: 350mm  
Minimum Internal Cabinet Dimensions: (WxHxD)mm 318 x 605\*\* x 525  
\*\*Recommended internal height 670mm



35L  
CAPACITY

CRL350-135D-W  
503.55.764

### BENCH OVERHANG CLEARANCE

Concelo Laundry Hampers have been designed with over extension drawer runners which allow for a certain bench overhang. CRL450-160D models allow up to 50mm clearance, CRL450-235D models allow up to 40mm clearance and 110mm on CRL350-135D. If more bench overhang clearance is required, please mount the unit lower in the cabinet.

See page 31 for information about our Concelo Laundry accessories.

\*Allows for 16mm shelf. Assumes 16mm carcass.

## 2 x 35 LITRE HAMPERS

Suitable for Minimum\* Cabinet Width: 450mm  
Minimum Internal Cabinet Dimensions: (WxHxD)mm 418 x 605\*\* x 525  
\*\*Recommended internal height 670mm



70L  
CAPACITY

CRL450-235D-W-1W1C  
503.64.744



CRL450-235D-W-2W  
503.55.795

## 1 x 60 LITRE HAMPER

Suitable for Minimum\* Cabinet Width: 450mm  
Minimum Internal Cabinet Dimensions: (WxHxD)mm 418 x 590\*\* x 525  
\*\*Recommended internal height 630mm



60L  
CAPACITY

CRL450-160D-W  
503.55.785



CRL450-160D-C  
503.55.685

## CONCELO HAMPER FEATURES

**COLOUR OPTIONS**  
Available in Arctic White or Cinder.

**MOULDED HAMPER**  
Available in 1 x 35L, 2 x 35L or 1 x 60L

**CLIP 'N' CLEAN TRAY**  
Unique to Hideaway. Eliminates the risk of rust.

**TRUE 6-WAY CAM DOOR ADJUSTMENT**  
and locking bolt system to lock door in position.

**HÄFELE MATRIX RUNNER**  
Concealed, over extension, smooth, synchronised runners - equal to other premium drawers.

**SIDE MOUNTING**  
suits standard size cabinets, System 32 drilling.

**ELECTRONIC PUSH TO OPEN COMPATIBLE**

View how to install Concelo Laundry



SCAN ME





KC40SCD-C / 503.55.432



HIDEAWAY'S COMPACT RANGE OFFERS **INNOVATIVE**, INTELLIGENT DESIGN, THAT HAS HELPED CRAFT THE **HIDEAWAY REPUTATION**

### HIDEAWAY™ COMPACT

The Hideaway Compact range is designed to offer the biggest bins that fit into the smallest space, without a compromise in quality. These bin models also feature soft close runners.

### HIDEAWAY™ COMPACT FLOOR MOUNT

When it's not possible to find space to mount your bin at bench height, Hideaway has a range of bin solutions that can mount to the base or floor of a cabinet and fit around existing plumbing.

Single bucket options are suitable for small spaces, such as bathroom vanities or tight under sink spaces. Double bucket models can be used for waste and recycling where space allows. Installation is simple, making these a great option for DIY projects or retrofitting to existing cabinets.

A fully enclosed, durable, one-piece metal frame means no assembly required. These floor mount bins take just 6 screws into the base of the cabinet and it's installed and ready to use!



KCF220SCH-W / 503.54.823





# HIDEAWAY™ COMPACT RANGE FEATURES



kitchen



laundry



bathroom



motorhome



## COMPACT FEATURES

### COMPACT

Compact design to maximise space utilisation – the biggest bucket for the smallest space.

### COLOURS

Door pull models are available in two colours: Arctic White and Cinder.

### SOFT CLOSE RUNNERS **A**

High quality ball bearing soft close runners for smooth, light movement.

### INSTALLATION OPTIONS **B**

1. Door Pull - One Step Action: The front fascia of the cabinet is attached to the door bracket of the Hideaway Bin. The bin is accessible by simply pulling open the cabinet door.

2. Handle Pull - Two Step Action: The bin is accessible by opening the hinged cupboard door and pulling out the bin using its handle.

### MOUNTING OPTIONS **C**

Top mount and/or side mount options to give greater design flexibility to install the bin in the optimal position. Floor mount models are a great retro-fit option (see overleaf).

### PUSH TO OPEN

Compatible with electronic systems for handleless push to open functionality.

### AIR VENTS

Unique air vent† system to maximise bin liner volume. 35L and 40L models only. See page 32 for more details.



## COMPACT SPECIFICATIONS

### METAL FRAME

1.0mm zinc treated steel, powder coated for durability.

### DOOR BRACKET ADJUSTMENT **D**

Vertical, horizontal and pitch adjustment provided in door bracket.

### RUNNER RATING

Soft close over extension ball bearing runner. 45kg dynamic weight loading for KC235 and KC240 models. 38kg dynamic weight loading for all other models.

### BUCKETS **E**

Made from a recyclable, food-grade polypropylene plastic. Buckets come complete with a liner holder to hold your bin liner in place.

### BENCH OVERHANG CLEARANCE

Hideaway Compact Bins have been designed with over extension drawer runners which allow for a bench overhang of up to 35mm, allowing the back bucket to come clear independent of the front bucket. If more bench overhang clearance is required, please mount the bin lower in the cabinet.

### PRODUCT CODES

Hideaway Bin codes appear in blue (eg [KC30SCD-C / 503.55.422](#)). Use these codes when placing an order for your Hideaway Bin.

**NOTE:** The Hideaway Compact range is designed for residential use and is not recommended for commercial applications. Its use in this application will void the warranty.



## HIDEAWAY™ COMPACT MODELS



**1 x 15 litre bucket**  
(WxHxD)mm 260 x 310 x 360

Available in:  
KC15SCH-W\* / 503.54.701  
Handle Pull, Arctic White  
KC15SCD-W / 503.55.701  
Door Pull, Arctic White  
KC15SCD-C / 503.55.401  
Door Pull, Cinder  
Bathroom vanities or motor homes.



**2 x 15 litre buckets**  
(WxHxD)mm 300 x 310 x 510

Available in:  
KC30SCH-W / 503.54.722  
Handle Pull, Arctic White  
KC30SCD-W / 503.55.722  
Door Pull, Arctic White  
KC30SCD-C\* / 503.55.422 Door Pull, Cinder  
2 x units can be installed within a 720mm standard carcass height providing a four bin recycling solution. Allows for 16mm shelf.



**1 x 20 litre bucket**  
(WxHxD)mm 260 x 415 x 360

Available in:  
KC20SCH-W\* / 503.54.711  
Handle Pull, Arctic White  
KC20SCD-W / 503.55.711  
Door Pull, Arctic White  
KC20SCD-C / 503.55.411  
Door Pull, Cinder  
Ideal for cabinets with limited space.



**2 x 20 litre buckets**  
(WxHxD)mm 300 x 415 x 510

Available in:  
KC40SCH-W / 503.54.732  
Handle Pull, Arctic White  
KC40SCD-W\* / 503.55.732  
Door Pull, Arctic White  
KC40SCD-C / 503.55.432  
Door Pull, Cinder  
Ideal recycling solution for the average family.



**2 x 35 litre buckets**  
(WxHxD)mm 368 x 615 x 510

Available in:  
KC235SCH-W / 503.51.783  
Handle Pull, Arctic White  
KC235SCD-W\* / 503.52.783  
Door Pull, Arctic White  
KC235SCD-C / 503.52.483 Door Pull, Cinder  
Large 70L capacity, yet fits a 400mm wide cabinet. Bucket features unique air vent<sup>1</sup> system.



**1 x 40 litre bucket**  
(WxHxD)mm 268 x 615 x 440

Available in:  
KC140SCH-W / 503.54.752  
Handle Pull, Arctic White  
KC140SCD-W / 503.55.752  
Door Pull, Arctic White  
KC140SCD-C\* / 503.55.452 Door Pull, Cinder  
Large bucket capacity for those looking for a single bin waste or recycling solution for areas of limited width. Ideal for 300mm wide cabinet. Bucket features unique air vent<sup>1</sup> system.



**2 x 40 litre buckets**  
(WxHxD)mm 418 x 615 x 518

Available in:  
KC240SCH-W / 503.51.784  
Handle Pull, Arctic White  
KC240SCD-W / 503.52.784  
Door Pull, Arctic White  
KC240SCD-C\* / 503.52.484 Door Pull, Cinder  
Largest available double bin solution - 80L.  
Bucket features unique air vent<sup>1</sup> system.



**1 x 50 litre bucket**  
(WxHxD)mm 340 x 590 x 440

Available in:  
KC50SCH-W\* / 503.54.743  
Handle Pull, Arctic White  
KC50SCD-W / 503.55.743  
Door Pull, Arctic White  
Ideal for a larger family kitchen.  
NOTE: Bucket is nominal 50L size, actual capacity is 46L.

**INSTALLATION INSTRUCTIONS -**  
All measurements given are internal (wall to wall) and are the minimum required to fit each unit.

**IMPORTANT NOTE FOR HANDLE PULL MODELS -** Allowance should be made for the width of the bin to clear the door and hinge mechanisms. For top mounted models, installation also requires that the top door hinge be 150mm from the top of the door to allow clearance for the bin handle.

\*Pictured Models

## HIDEAWAY™ COMPACT FLOOR MOUNT MODELS



KCF215SCH-W / 503.54.822



**1 x 15 litre bucket Floor Mounted**  
(WxHxD)mm 258 x 305 x 358

Available in:  
KCF115SCH-W / 503.50.701  
Handle Pull, Arctic White  
KCF115SCH-C\* / 503.50.401  
Handle Pull, Cinder



**1 x 20 litre bucket Floor Mounted**  
(WxHxD)mm 258 x 408 x 358

Available in:  
KCF120SCH-W\* / 503.50.711  
Handle Pull, Arctic White  
KCF120SCH-C / 503.50.411  
Handle Pull, Cinder



**2 x 15 litre buckets Floor Mounted**  
(WxHxD)mm 298 x 308 x 510

Available in:  
KCF215SCH-W\* / 503.54.822  
Handle Pull, Arctic White  
KCF215SCH-C / 503.54.322  
Handle Pull, Cinder  
KCF215SCD-W / 503.55.822  
Door Pull, Arctic White  
KCF215SCD-C / 503.55.322  
Door Pull, Cinder



**2 x 20 litre buckets Floor Mounted**  
(WxHxD)mm 298 x 408 x 510

Available in:  
KCF220SCH-W / 503.54.823  
Handle Pull, Arctic White  
KCF220SCH-C / 503.54.323  
Handle Pull, Cinder  
KCF220SCD-W / 503.55.823  
Door Pull, Arctic White  
KCF220SCD-C\* / 503.55.323  
Door Pull, Cinder

**COMPACT RANGE FEATURES:** Refer page 28

**FLOOR MOUNT INSTALLATION INSTRUCTIONS -** All measurements given are internal (wall to wall) and are the minimum required to fit each unit.

**IMPORTANT NOTE FOR HANDLE PULL MODELS -** Models KCF115SCH, KCF120SCH, KCF215SCH, KCF220SCH - if hinges are used that do not allow the door to clear the opening fully, allow an extra 10mm width (check as this may vary).



KCF220SCD-C / 503.55.323



# HIDEAWAY™ BIN AND HAMPER ACCESSORIES

## Buckets

Size	Colour		Dimensions (WxHxD) mm
13L	503.64.991	503.64.990	246 x 290 x 246
15L	503.52.991	503.52.990	279 x 290 x 243
16L	503.64.992	503.64.993	246 x 375 x 246
20L	503.52.994	503.52.993	279 x 395 x 243
35L	503.52.999	503.52.996	345 x 600 x 245
40L	503.52.997	503.52.989	382 x 592 x 242
50L	503.52.998		315 x 572 x 367

\*NOTE: 50L bucket is nominal 50L size, actual capacity is 46L.

## Hampers

Size	Colour		Dimensions (WxHxD) mm
35L	503.53.740	503.53.540	345 x 600 x 245
60L	503.53.755	503.53.455	370 x 575 x 465

## Liner Holders

Size	Colour					Dimensions (WxHxD) mm	
13L & 16L	503.64.970	503.64.971	503.51.963	503.51.960	503.51.966	503.51.969	250 x 15 x 248
15L & 20L	503.51.990	503.51.995	503.51.964	503.51.961	503.51.967	503.51.970	283 x 15 x 247
35L	503.51.997	503.51.996	503.51.965	503.51.962	503.51.968	503.51.971	348 x 15 x 248
40L	503.51.993	503.51.992					384 x 15 x 244
50L	503.51.994						320 x 15 x 372

## Concelo Clip'n'Clean Trays

Model	Size	Colour		Dimensions (WxHxD) mm
CR350	13L & 16L	503.64.780	503.64.680	294 x 43 x 250
CR350, CRL350	35L			294 x 43 x 500
CR400	15L & 20L			343 x 43 x 250
CR450	35L	503.64.781	503.64.681	393 x 43 x 250
CR600	13L & 16L			271 x 43 x 250
CRL450	60L			393 x 68 x 501

## Concelo Active Lids

Size	Colour	Dimensions (WxHxD) mm
CR350, CR400, CR600		296 x 21 x 504
CR450		396 x 21 x 504



## MORE THAN JUST A BUCKET

Hideaway buckets are **made with 100% virgin polypropylene**, giving them the durability to cope with the tough daily demands of the kitchen environment. The **food-grade polypropylene** material is FDA (U.S.A) approved, meaning Hideaway buckets can be used for bulk food storage of dry food stuffs. At the end of the life-cycle, the bucket and liner holder is **fully recyclable** to minimise environmental impact.

All buckets used in Hideaway Bins come with matching **liner holders**, to hold bin liner bags in place. This not only looks tidy, it keeps your bin liner clean for removal and ensures the liner bags don't slip inside the bucket.

The 35L and 40L buckets features Hideaway's **patented air vent system**: four U-shaped air vents allow trapped air to escape through the lip of the bucket, as you push your bin liner into the bucket cavity. This unique, patented design will **eliminate the frustration of trapped air** restricting your liner, maximising bin liner volume.

AIR ESCAPES THROUGH THE PATENTED VENTS AS YOUR BIN LINER IS PUSHED INTO THE BUCKET CAVITY



† New Zealand Patent No. 597337

## Concelo Top Mount Bracket Kit

Code	Colour	Dimensions (WxHxD) mm
CRTMB	503.64.989	150 x 75 x 40



## Concelo Door Bracket Covers

Code	Colour	Dimensions (WxHxD) mm
CRDBC		59 x 212 x 32
CRDBCL		59 x 212 x 32



Sold as a pair. Left cover includes Lid Tool slot.

## Concelo Lid Release Tool

Code	Dimensions (WxHxD) mm
CRART	60 x 30 x 8



## Electronic Push to Open Kits

Suitable for Concelo range + Compact KC30SCD, KC40SCD models

Available from leading hardware suppliers.

Concelo is warranted for use with Häfele Grass Sensomatic or Blum Servo Drive systems. See page 12 for more information. Refer to the technical guides on the Hideaway website for installation of electronic systems.

## Push to Open Bracket

Suitable for	Colour	
Concelo Bins & Hampers	503.53.799	503.53.699

To work with electronic push to open systems. Not required in some applications. Refer to the technical guides on the Hideaway website for installation of electronic systems.





NZ MADE  
**HIDEAWAY™ BINS**  
BY KITCHEN KING®



### 100% KIWI OWNED AND OPERATED

Hideaway Bins are proudly designed and made in New Zealand by Kitchen King Ltd and have a strong local and international reputation for the quality and innovation of our hidden waste, recycling and laundry solutions.

Kitchen King is a 100% family owned and operated business and has been under the direction of the Bertelsen family since 2006. Our company is run with joint directorship by close father and daughter team, Allen and Jamie Bertelsen.

Our team at Kitchen King not only manufacture and distribute Hideaway Bins but have expanded to include research and design, to ensure we are able to release new and innovative products to the market.

With an industry leading engineering and manufacturing process the team at Kitchen King continue to produce creative solutions for both residential and commercial storage, waste and recycling requirements.

### SUSTAINABILITY

Our Hideaway Bin systems are designed and produced to help our customers to achieve more sustainable waste practices within their own homes and workplaces.

As a manufacturing business and as individual New Zealanders, we recognise and value the unique and precious environment we live and work within. We strive to protect this environment through responsible business practices and sustainable waste and recycling habits.

The topic of managing waste and recycling has never been stronger, and the team at Hideaway Bins take great pride in responsibly recycling and re-using products within our business and manufacturing processes.

To ensure this, we have put a number of practices in place so that our environmental impact is reduced and our products are environmentally friendly.

This includes:

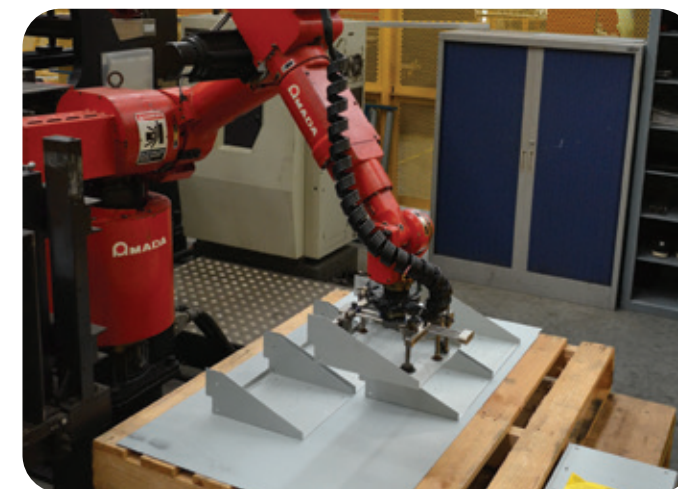
- Ensuring that we re-use cardboard and plastic packaging.
- We recycle waste cardboard, plastic packaging and any metal rejects.
- Our plastic buckets are made from virgin material making them 100% recyclable. Any waste during the moulding process is recycled for use by others.
- Our packaging is now 100% polystyrene-free, using kraft paper and cardboard for easier recycling by our customers.

## METAL COMPONENTS

Hideaway Bins work closely with New Zealand's leading sheet metal manufacturers and aluminium extruders to produce our metal components.

We use electro-galvanised steel for our sheet metal components. This has a smooth consistent thin layer of zinc to provide corrosion resistance and has a consistent surface for an excellent finish when powder coated.

Our sheet metal suppliers utilise cutting edge sheet metal technology, including fibre laser cutters, turret punches, CNC folders and laser welding. This delivers high quality precision components which ensures the quality and reliability of all Hideaway Bins.



## UNIQUE POWDER COATING

All metal components are powder coated to provide a tough yet attractive finish. To improve the overall resistance of the coating, all individual metal parts undergo an iron phosphate pre-treatment and are then subjected to an acidic bath.

The powder coat is then electrostatically charged to ensure even coverage, and applied manually using a hand gun to ensure maximum coverage. The powder coating is then cured under heat to allow it to form a hard finish.



## PLASTIC COMPONENTS

We partner closely with leading plastic injection moulding suppliers. This gives us access to specialist skills and manufacturing machinery, allowing full control over the plastic injection moulding processes ensuring Hideaway Bins stringent quality standards are met.

All plastic components are made using virgin material for maximum durability. While using virgin material is more expensive, it means the strength of the components are not compromised by using fillers. At the end of their life, all parts are all fully recyclable to ensure minimal environmental impact.

Our buckets are made using a food-grade polypropylene material which is FDA (U.S.A) approved meaning they can also be used to store dry food stuffs.



## BIN ASSEMBLY

Once all Hideaway Bin components are ready for assembly, our product technicians assemble the bins at our warehouse in Silverdale, Auckland, NZ. This assembly process allows for all parts to be checked to ensure the highest quality end product.



SCAN ME

Learn more about  
Hideaway





  
**HIDEAWAY**<sup>®</sup>

**Concelo**<sup>®</sup>

BY HIDEAWAY

[hideawaybins.com.au](https://hideawaybins.com.au)



**Manufactured by Kitchen King Limited**

44 Anvil Road, Silverdale,  
Auckland 0932,  
New Zealand

**Australia**

Freephone 1800 042 642  
[info@hideawaybins.co.nz](mailto:info@hideawaybins.co.nz)

## HOW TO ORDER

Homeowners can purchase bins and accessories from Häfele and also direct from our website: [hideawaybins.com.au](https://hideawaybins.com.au)

**HÄFELE**

[hafele.com.au](https://hafele.com.au) / 1300 659 728

**NTH NSW Regional Office**

5/15-17 Honeysuckle Drive  
2300 Newcastle  
Ph: (02) 4921 0900

**WA State Office**

29 - 33 Juna Drive  
6090 Malaga  
Ph: (08) 9209 8000

**Häfele Head Office**

8 Monterey Road  
3175 Dandenong South  
Ph: (03) 9212 2000

**QLD State Office**

30 Arc Place  
4110 Larapinta  
Ph: (07) 3307 8900

**TAS State Office**

40 Lindsay Street  
7250 Launceston  
Ph: (03) 6331 7106

**NSW State Office**

39 Topham Road  
2567 Smeaton Grange  
Ph: (02) 4632 4000

**SA State Office**

1-3 Whitmore Square  
5000 Adelaide  
Ph: (08) 8232 9933

**Hobart Design Centre**

156 Argyle Street  
7000 Hobart  
Ph: (03) 6210 6400

### FIND OUT MORE ABOUT HIDEAWAY BINS:

Scan the QR code to learn more about Hideaway



 SCAN ME

Scan the QR code to learn more about Concelo



 SCAN ME

PATENT PENDING: [concelo.com/ip](https://concelo.com/ip)

Hideaway bins are designed and manufactured in New Zealand. Kitchen King<sup>®</sup> Limited reserve the rights to this brochure under copyright law. It shall not be permissible to duplicate this brochure in any form, either in whole or in part, without our written consent. Subject to technical alterations. Errors and omissions excepted 2023/2024.