

Step 9 – Install Clip'n'Clean trays, buckets and liner holders

- Open each of the bucket cartons and install the contents with reference to the instructions provided within.

Step 10 – Install Active Lid

- Open the bin unit fully. Check the liner holders are correctly in place on top of the buckets.
- Position the Lid Tool in the small gap between the front liner holder and the drawer front on the left-hand side, near the centre of the bucket (Fig. 5a).
- Place the Active Lid on top of the left-hand buckets and align with the left-hand guide (Fig. 5b). The front of the Active Lid should sit against the Lid Tool and the hooks and arrows on the top of the Active Lid face towards the cabinet interior.
- Push the drawer completely closed and the Active Lid will reconnect itself to the bin mount inside the cabinet.
- Pull the bin open to check the Active Lid is installed. Retrieve the Lid Tool.

FIG. 5a

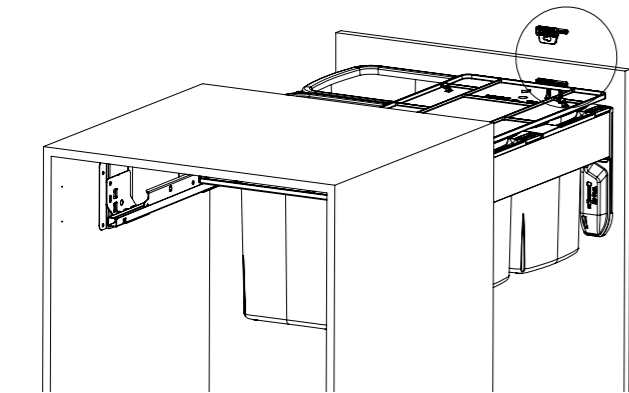
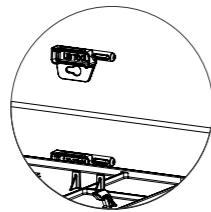
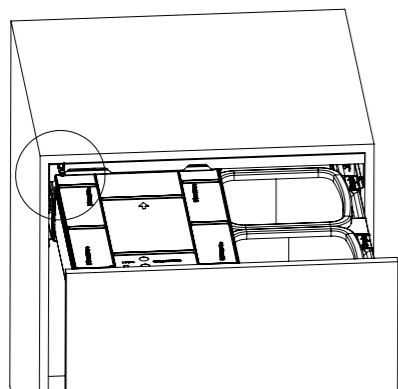
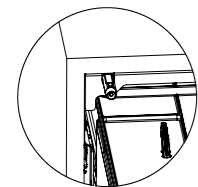


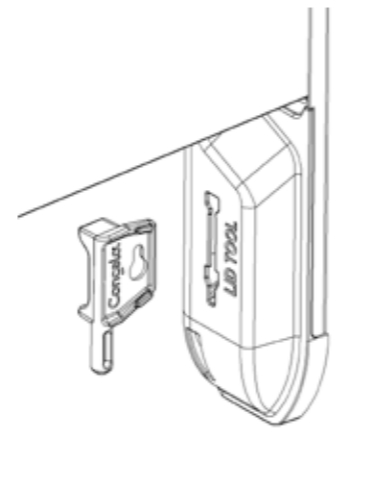
FIG. 5b



Step 11 – Lid Tool storage

- Place the Lid Tool in the slot in the left-hand door bracket cover.

FIG. 6



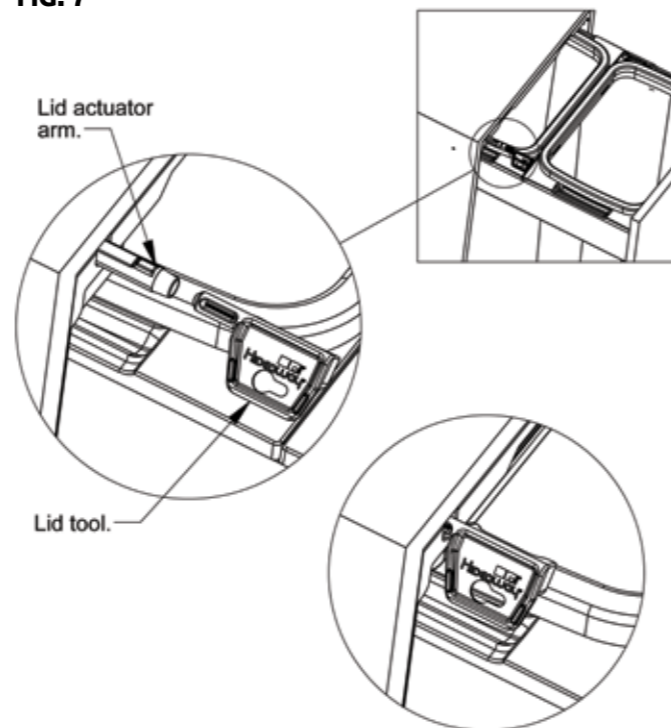
Installation complete.

NOTE: Removal of Active Lid for cleaning

Refer to Fig. 7

- To remove lid, open bin approx. 100mm. Use the Lid Tool (or screwdriver) to push actuator in fully. Lid will be released and can be pulled out by hand as the bin is opened.

FIG. 7



Lid actuator arm.

Lid tool.

LID TOOL

Use the Lid Tool to install the Active Lid. Please ensure the Lid Tool is stored in the slot in the left-hand door bracket for use by the homeowner.



Concelo.
BY HIDEAWAY

**INSTALLATION INSTRUCTIONS FOR:
CR600**

READ ALL INSTRUCTIONS BEFORE INSTALLING THIS BIN UNIT. FAILURE TO INSTALL THE BIN CORRECTLY MAY VOID WARRANTY.

BENCH OVERHANG CLEARANCE:

The Hideaway Concelo range has been designed with over extension drawer runners which allow for a bench overhang of up to 40mm, allowing the back bucket to come clear independent of the front bucket. If more bench overhang clearance is required, please mount the bin lower in the cabinet.

IMPORTANT:

This Concelo bin is designed for side mounting into a standard 600mm cabinet only. Internal width required is 568 +/- 0.5mm.

**INSTALLATION VIDEO
PLEASE WATCH FIRST:**

NZ: hideawaybins.co.nz/concelo_installation

AUS: hideawaybins.com.au/concelo_installation

Or scan the QR code...



New Zealand

SCAN ME



Australia

SCAN ME

FASTENER IDENTIFICATION:



12 of 13mm
Euro screw



1 of 16mm
Surefix
Screw

HIDEAWAY NEW ZEALAND 09 426 7456
info@hideawaybins.co.nz / hideawaybins.co.nz

HIDEAWAY AUSTRALIA 1800 042 642
info@hideawaybins.co.nz / hideawaybins.com.au



MEMBERS AND SUPPORTERS OF



BODY INSTALLATION

TIP: For new kitchens, where possible, it is easiest to place the carcass on a bench for installation of the runners.

Step 1 – Unpack carton

- Unpack Active Lid from carton.
- Leave remaining components for future steps.

Step 2 – Pre-drill carcass

Refer to Fig. 1

- On each side, align the drilling template with the top and front edge of the carcass.
- On each side, mark 6 side mount (GREEN) holes through the template.
- Remove the template and drill 5mm holes 13mm deep at each location.

Step 3a – Install body sub assembly

Refer to Fig. 1a

- Position CR600 Body Rear sub assembly and secure with 4 of the 13mm Euro Screws each side.

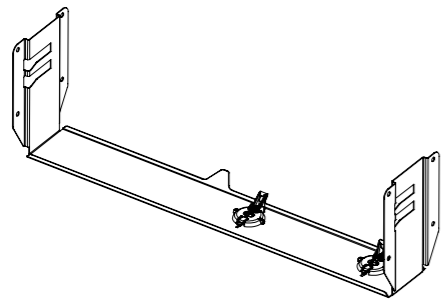
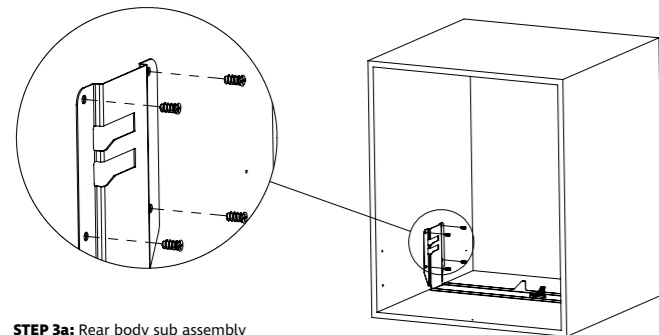
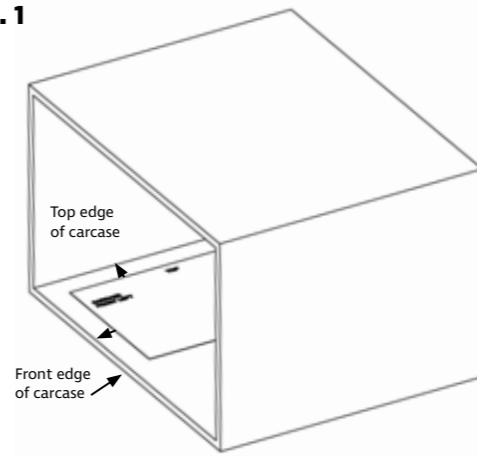


FIG. 1a



STEP 3a: Rear body sub assembly

FIG. 1



NOTE: Cabinet shown lying on left side.

Step 3b – Install body sub assembly

Refer to Fig. 1b

- Position CR600 Body Front sub assembly and secure with 2 of the 13mm Euro Screws each side.
- Drill a pilot hole in the front top rail of the cabinet using the body as a guide and secure using a 16mm Surefix Screw.

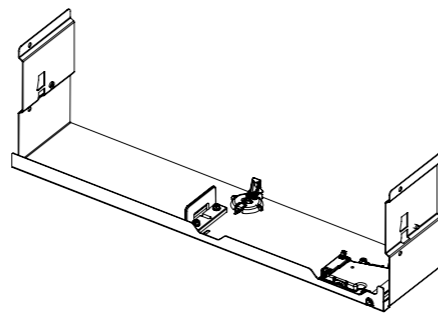
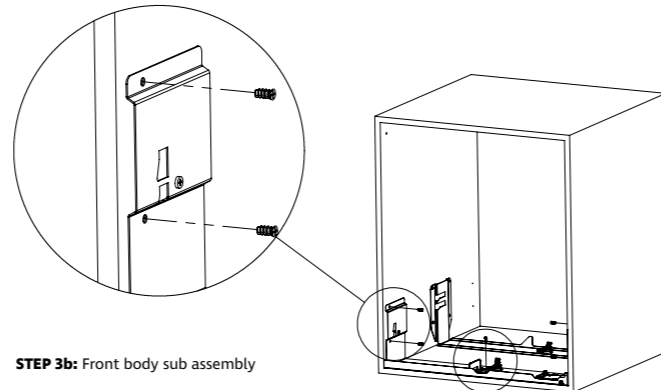


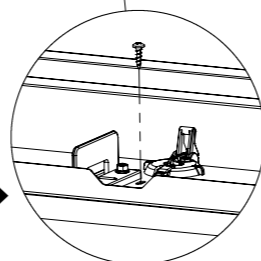
FIG. 1b



STEP 3b: Front body sub assembly

IMPORTANT!

STEP 3b: Secure using a 16mm Surefix screw



Step 4 – Mount runners inside cabinet carcass

- Open the smaller inner carton containing the runners and follow the Concelo CR600 Runner Installation Instructions within.

Step 5 – Mount collar to door panel

- Open the larger inner carton and follow the Concelo CR600 Collar Instructions within.

Step 6 – Assemble collar and door panel to runners

- Position collar assembly as shown in Fig. 2. **TIP:** Ensure that runners are pulled forward, there is a black tab at the front of the runner that can be pulled while holding the door panel.
- Lower the door panel until a click is heard. **TIP:** The door panel may need to be pushed down firmly.
- Close the product and check that it is approximately level. **TIP:** If the door panel is significantly out of level it may indicate that it is not clipped down fully on one side.

Step 7 – Adjust the door panel position

Refer to Fig. 3

- Loosen the 6 door bracket bolts using the 4mm Allen key provided.
- Adjust the door to be square and parallel to carcass and in the correct vertical position using the adjustment cams.
- Tighten the 6 door bracket bolts.
- Loosen the 6 door mounting screws and adjust the horizontal position of the door panel, if required.
- Tighten the 6 door mounting screws.

FIG. 3

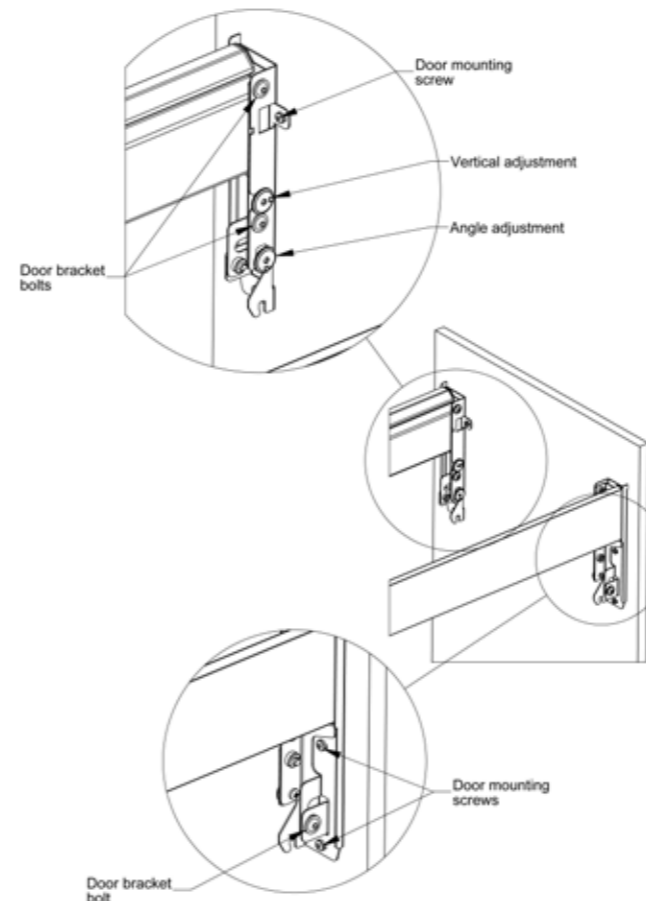
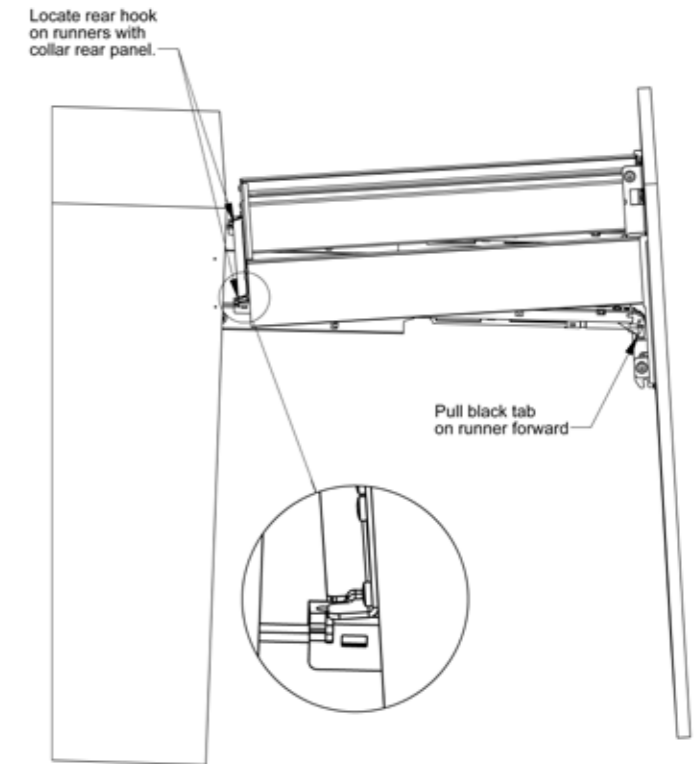


FIG. 2



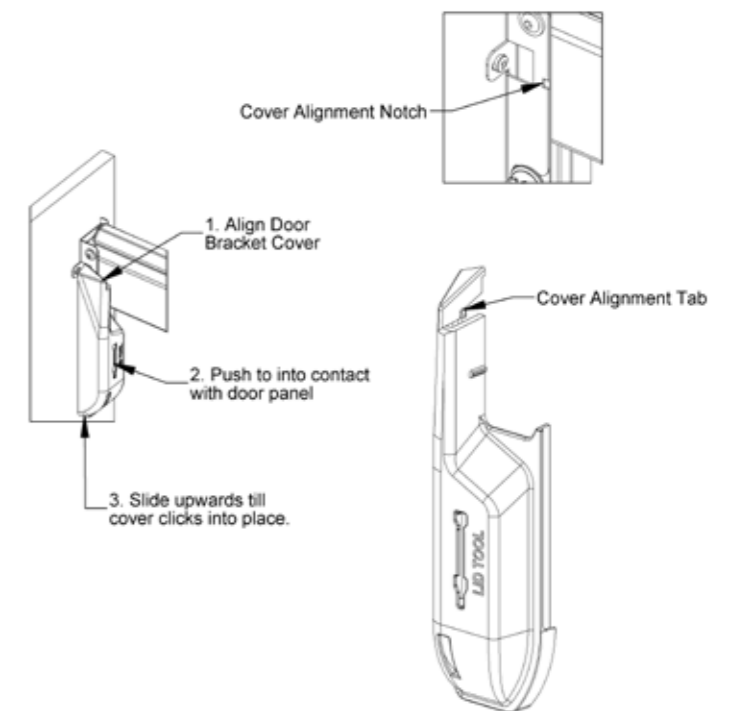
Step 8 – Install door bracket covers

Refer to Fig. 4

- Align door bracket cover
- Push into contact with door panel
- Slide upwards till cover clicks into place.

FIG.4

Door Bracket Cover Installation



READ ALL INSTRUCTIONS BEFORE INSTALLING THIS BIN UNIT. FAILURE TO INSTALL THE BIN CORRECTLY MAY VOID WARRANTY.

FULL INSTALLATION VIDEO PLEASE WATCH FIRST:

NZ: hideawaybins.co.nz/concelo_installation

AUS: hideawaybins.com.au/concelo_installation

Or scan the QR code...

New Zealand

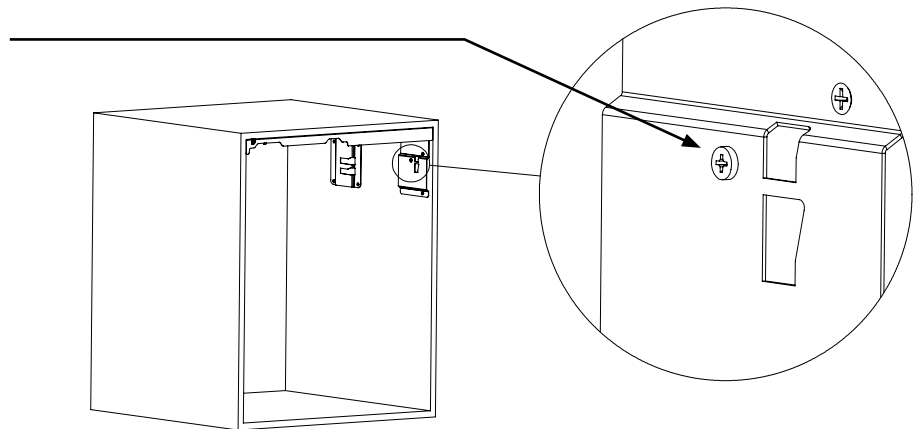


Australia

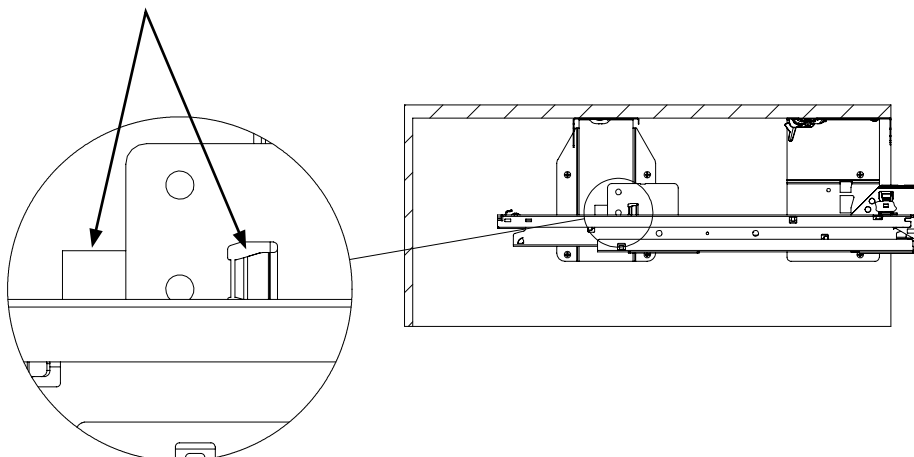


THESE INSTRUCTIONS BEGIN AT STEP 4 OF THE MAIN CR600 INSTALLATION INSTRUCTIONS.

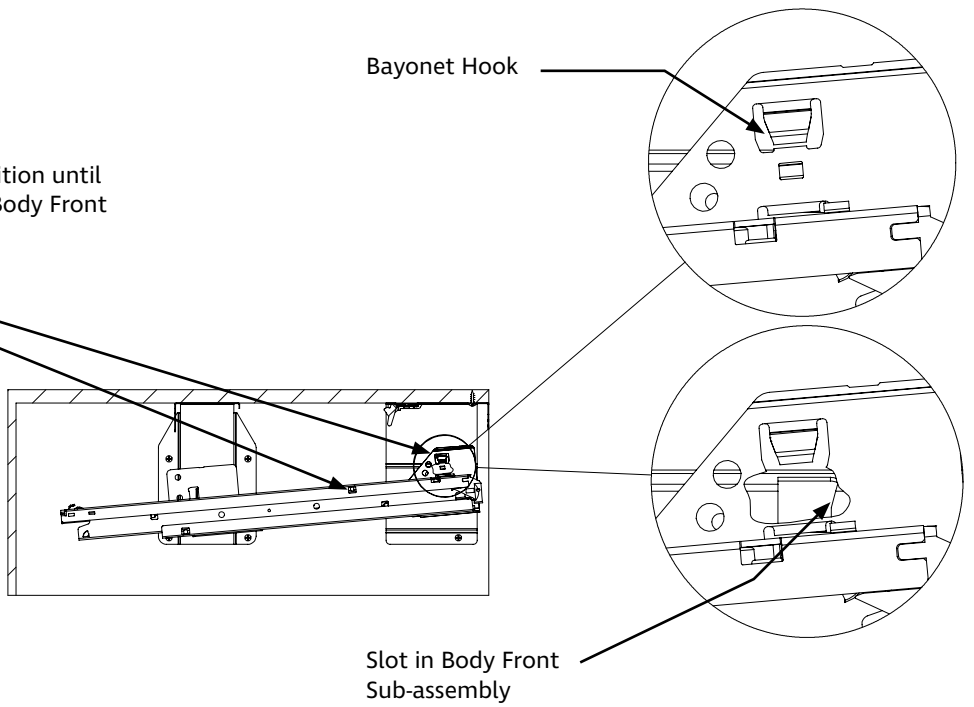
Step 1 - Remove Runner Retention
Screw and place to one side.



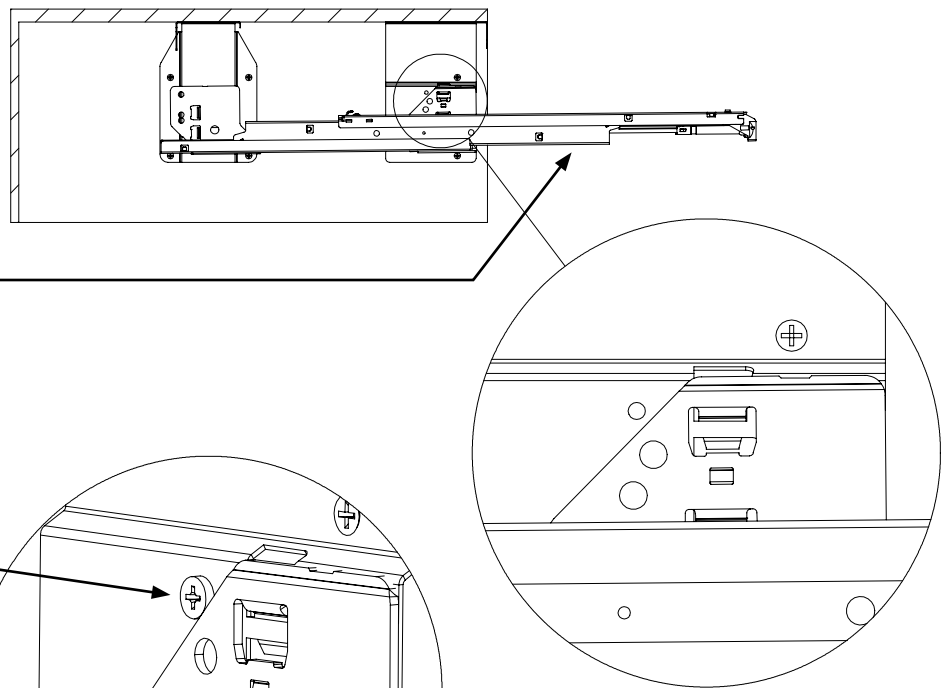
Step 2 - Line up rear bayonet hooks
with slots in Body Rear Sub-assembly.



Step 3 - Angle Runner and slide into position until front bayonet hooks align with slots in Body Front Sub-assembly.

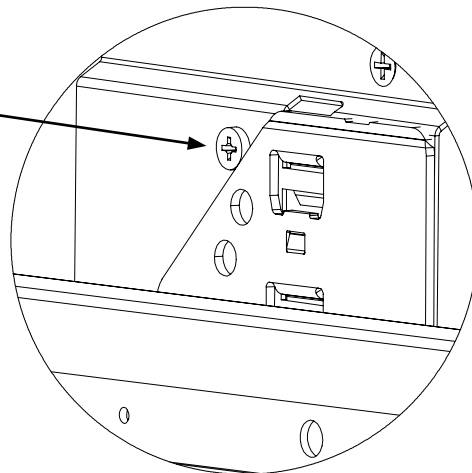


Step 4 - Extend Runner partially and push down until the bayonet hooks are fully engaged in the slots.



CRITICAL STEP!

Step 5 - Reinstall Runner Retention Screw.
NOTE: It should fit beside the runner bracket.



HIDEAWAY NEW ZEALAND 09 426 7456
info@hideawaybins.co.nz / hideawaybins.co.nz

HIDEAWAY AUSTRALIA 1800 042 642
info@hideawaybins.co.nz / hideawaybins.com.au



MEMBERS AND SUPPORTERS OF

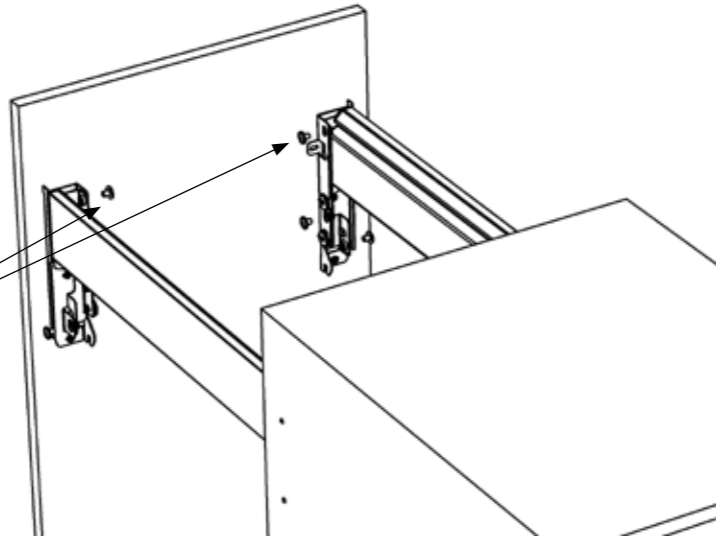


Addendum - Third screw location for shaker doors

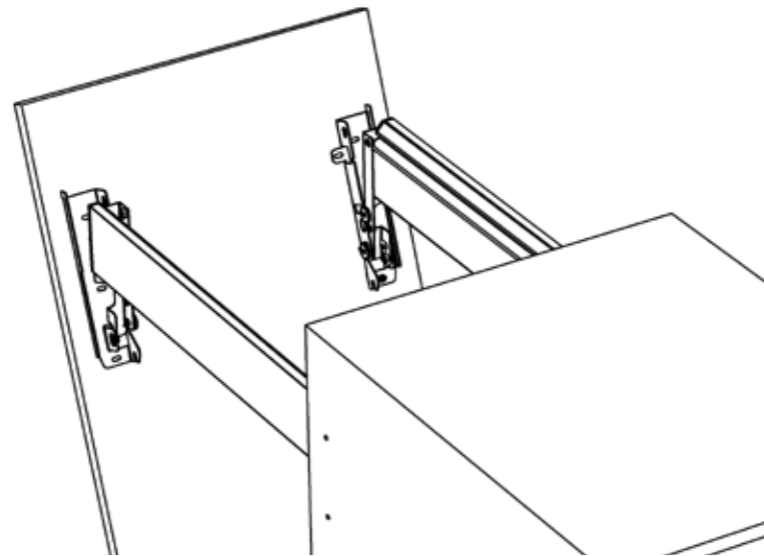
Complete Step 8 (Adjust the door panel position) of the Concelo CR600 Installation Instructions.

Follow the steps below to remove the door panel and add the third screw.

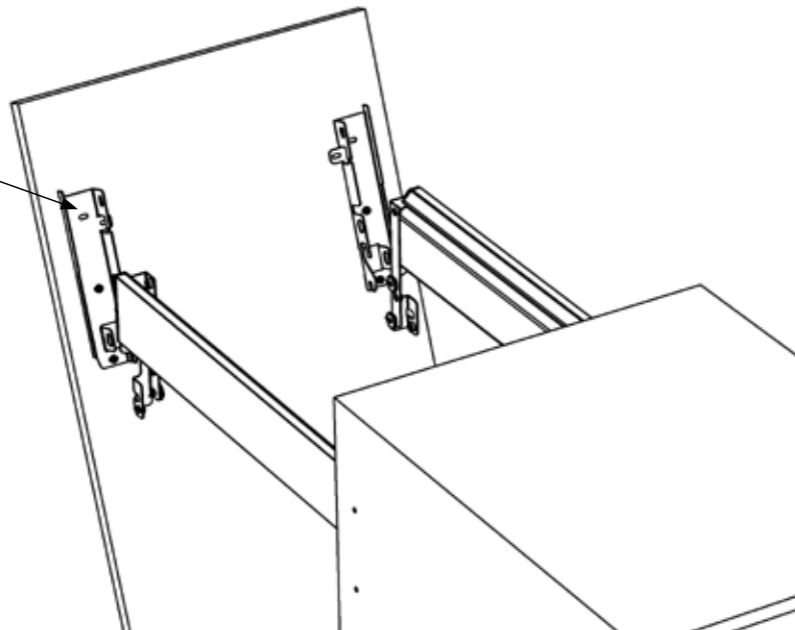
1. Remove the 6 door bracket bolts using the 4mm Allen key provided.



2. Tilt the door panel forward till the door bracket is clear of the top adjustment cam.



3. Lift the door panel clear of the lower adjustment cam.



4. Drill a 2mm pilot hole at the top mounting location of each door bracket. Insert 12mm Surefix screws provided and tighten.

5. Reassemble door bracket to collar and secure in place using 6 door bracket bolts.

Once complete, refer back to Step 9 of the Concelo CR600 Installation Instructions to complete remaining steps.

HIDEAWAY NEW ZEALAND 09 426 7456
info@hideawaybins.co.nz / hideawaybins.co.nz

HIDEAWAY AUSTRALIA 1800 042 642
info@hideawaybins.co.nz / hideawaybins.com.au



MEMBERS AND SUPPORTERS OF



Concelo[®]
BY HIDEAWAY

**INSTALLATION INSTRUCTIONS FOR:
CR600 COLLAR**

READ ALL INSTRUCTIONS BEFORE INSTALLING THIS BIN UNIT. FAILURE TO INSTALL THE BIN CORRECTLY MAY VOID WARRANTY.

THESE INSTRUCTIONS BEGIN AT STEP 5 OF THE MAIN CR600 INSTALLATION INSTRUCTIONS.

FULL INSTALLATION VIDEO PLEASE WATCH FIRST:

NZ: hideawaybins.co.nz/concelo_installation

AUS: hideawaybins.com.au/concelo_installation

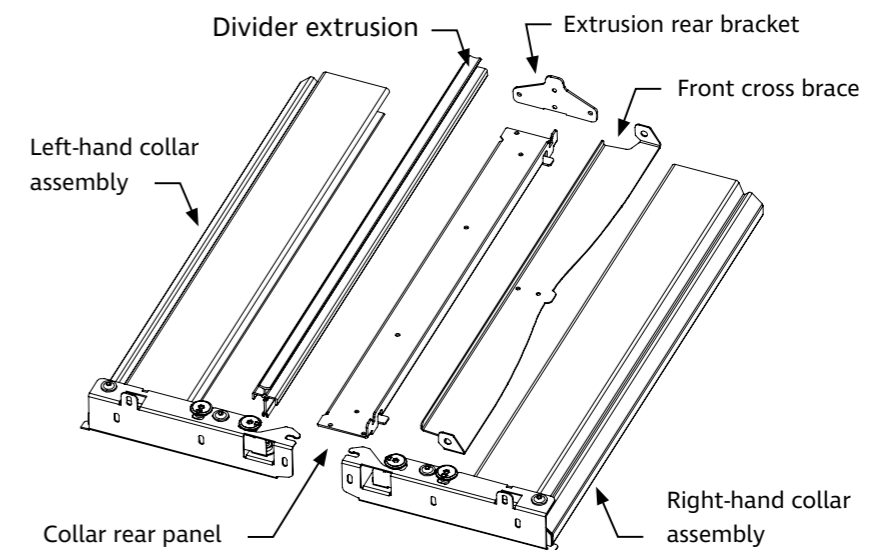
Or scan the QR code...



FASTENER IDENTIFICATION:

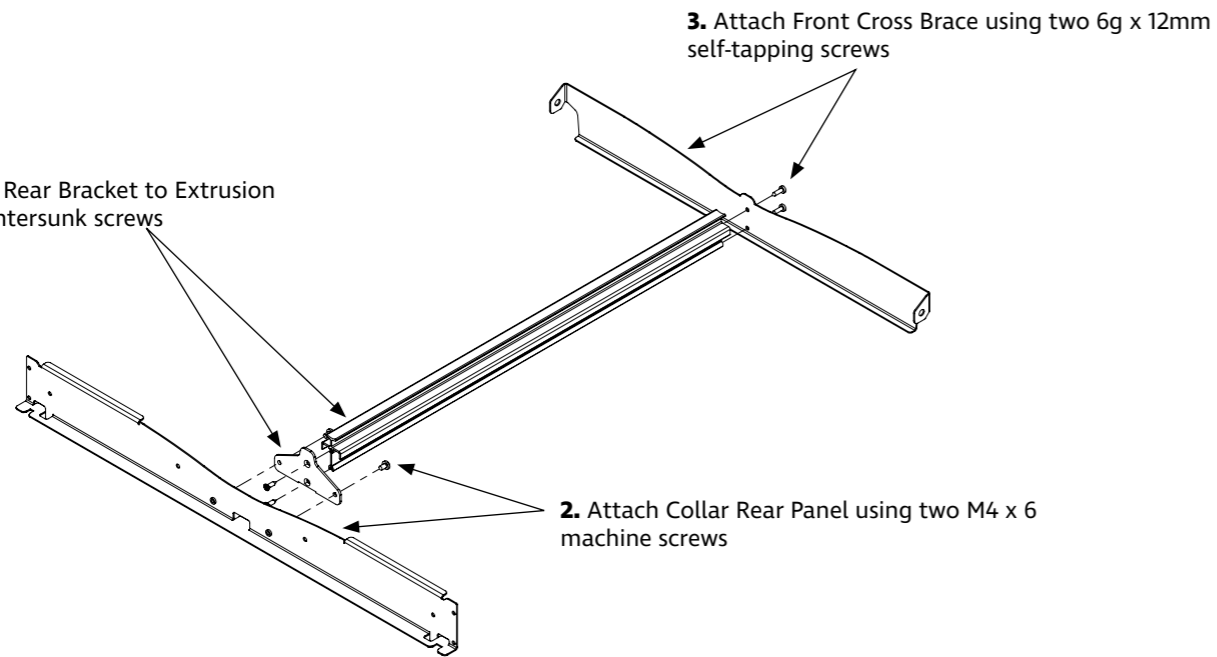


CONTENTS OF CARTON:



Step 1 – Assemble CR600 Frame Sub-assembly

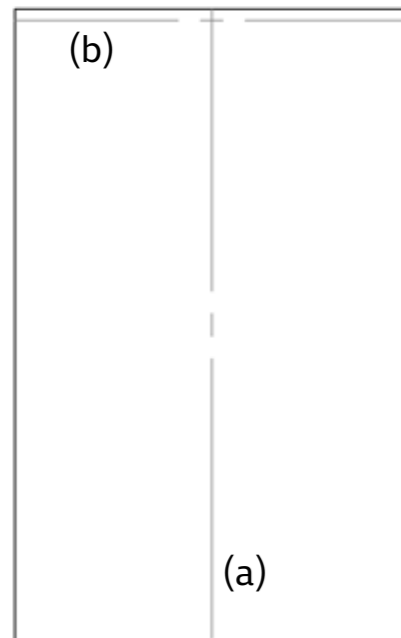
1. Assemble Extrusion Rear Bracket to Extrusion using two 6g x 12 countersunk screws



Step 2 – Marking door panel for template

- Mark a vertical centre line on the rear of the door panel (a).
- Mark a horizontal line indicating the inside top edge of the carcass for door overlap (b).

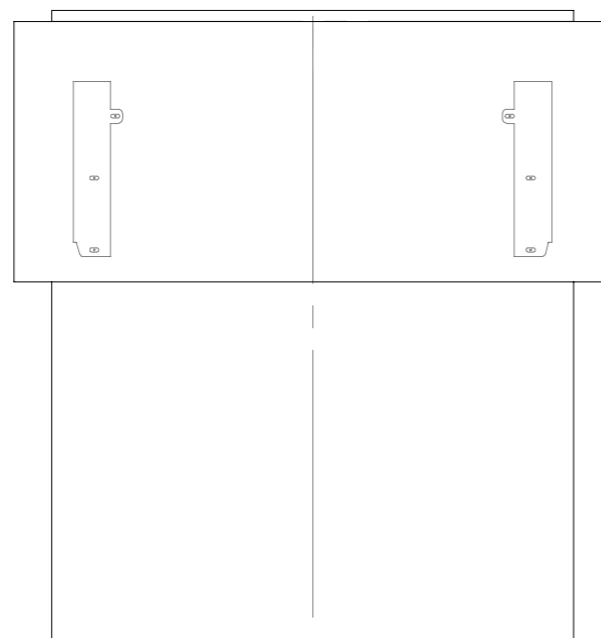
TIP: An allowance needs to be made for the door overlap with the top of the carcass e.g. for a 16mm thick carcass material and 3mm gap between the door panel and the bench top the horizontal line should be $(16-3) = 13\text{mm}$ down from the top edge of the door panel (b).



Step 3 – Pre-drill door panel

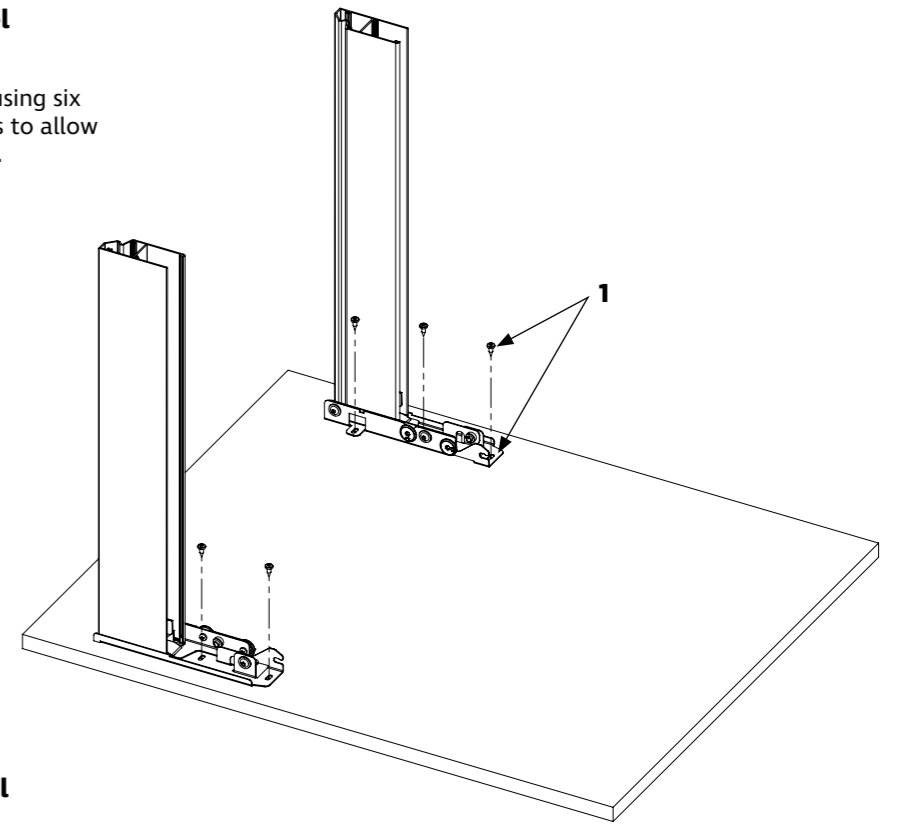
- Align the door panel template with the lines as shown and mark the 6 points indicated for the door bracket mount holes.
- Drill a 2mm pilot hole at each of the 6 mounting locations.

TIP FOR SHAKER DOORS: 3 screw locations are required for each door bracket. An alternative location for the top screw is accessible by removing the door bracket from the collar side. This should be used in framed door situations and should be inserted after step 5 of the Installation Instructions. Refer overleaf for instructions.



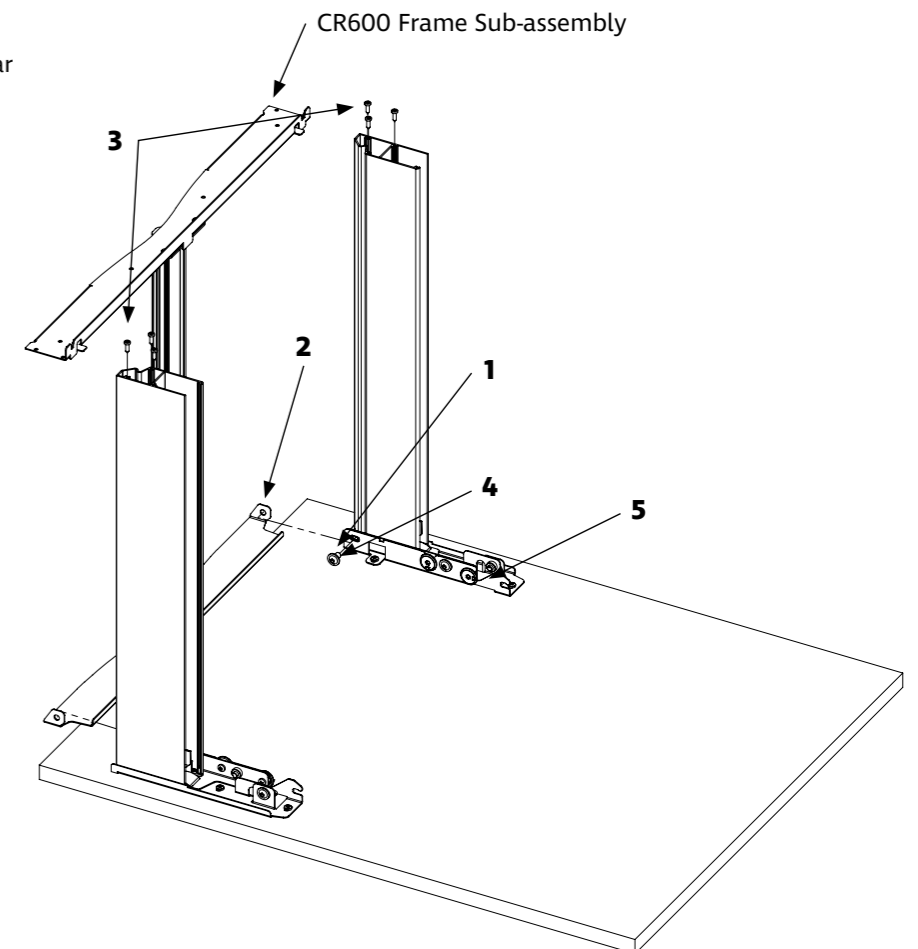
Step 4 – Assemble Collar Side to door panel

1. Position Collar Side Sub-assemblies and secure using six 12mm Surefix screws. NOTE: Do not tighten screws to allow sideways movement of Collar Side Sub-assemblies.



Step 5 – Assemble Collar Side to door panel

1. Remove top M6 bolt from each side.
2. Position CR600 Frame Sub-assembly between collar sides.
3. Secure Collar Rear Panel to collar sides using six 6g x 12mm self-tapping screws.
4. Reinstall M6 bolt through the hole in the front cross brace and tighten.
5. Tighten six 12mm Surefix screws securing collar to door panel.



Concelo®

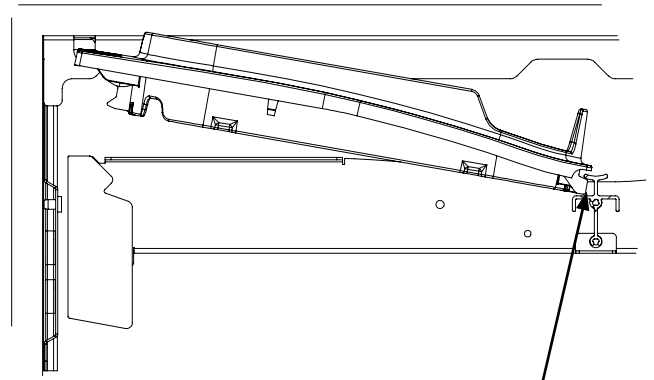
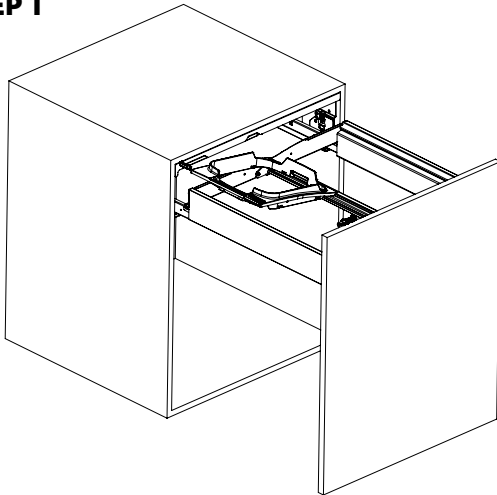
BY HIDEAWAY

INSTALLATION INSTRUCTIONS FOR: CR600: CLIP 'N' CLEAN TRAY, BUCKETS + LINER HOLDERS

READ ALL INSTRUCTIONS BEFORE INSTALLING THIS BIN UNIT. FAILURE TO INSTALL THE BIN CORRECTLY MAY VOID WARRANTY.

THESE INSTRUCTIONS BEGIN AT STEP 9 OF THE MAIN CR600 INSTALLATION INSTRUCTIONS.

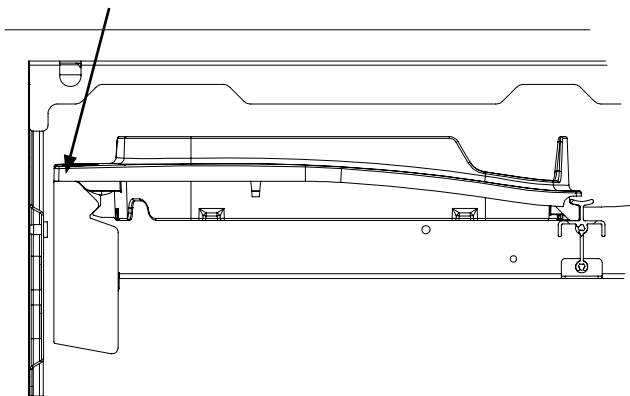
STEP 1



1. Slide tray into centre extrusion

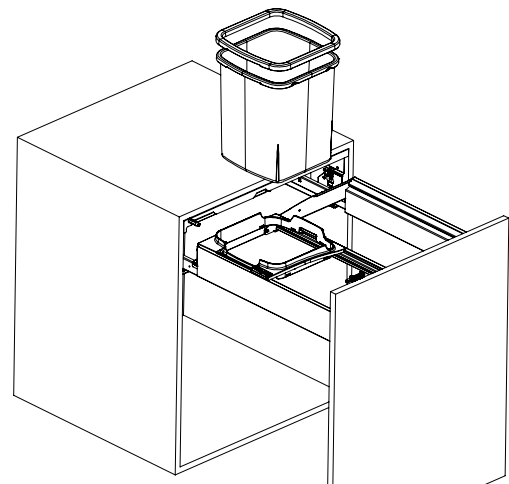
STEP 2

1. Push down on outer edge of tray to clip into place



STEP 3

1. Place bucket into tray
2. Clip Liner Holder onto bucket
3. Repeat for remaining trays, buckets and liner holders



HIDEAWAY NEW ZEALAND 09 426 7456
info@hideawaybins.co.nz / hideawaybins.co.nz

HIDEAWAY AUSTRALIA 1800 042 642
info@hideawaybins.co.nz / hideawaybins.com.au


Hideaway®

MEMBERS AND SUPPORTERS OF

NKBA
National Kitchen & Bathroom Association - NZ


NEW ZEALAND
MADE®

Dec 2022

DOOR MOUNTING TEMPLATE



DOOR CENTRE

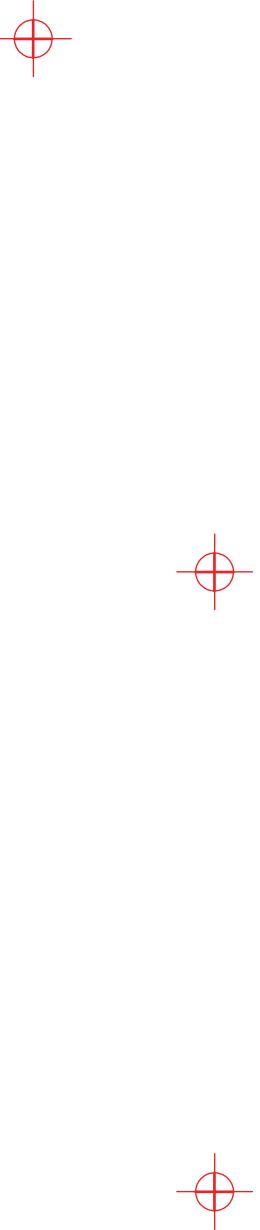


BIN BODY TOP REFERENCE

Concelo[®]

BY HIDEAWAY

Refer to Installation Instructions for guidance on using this drilling template.

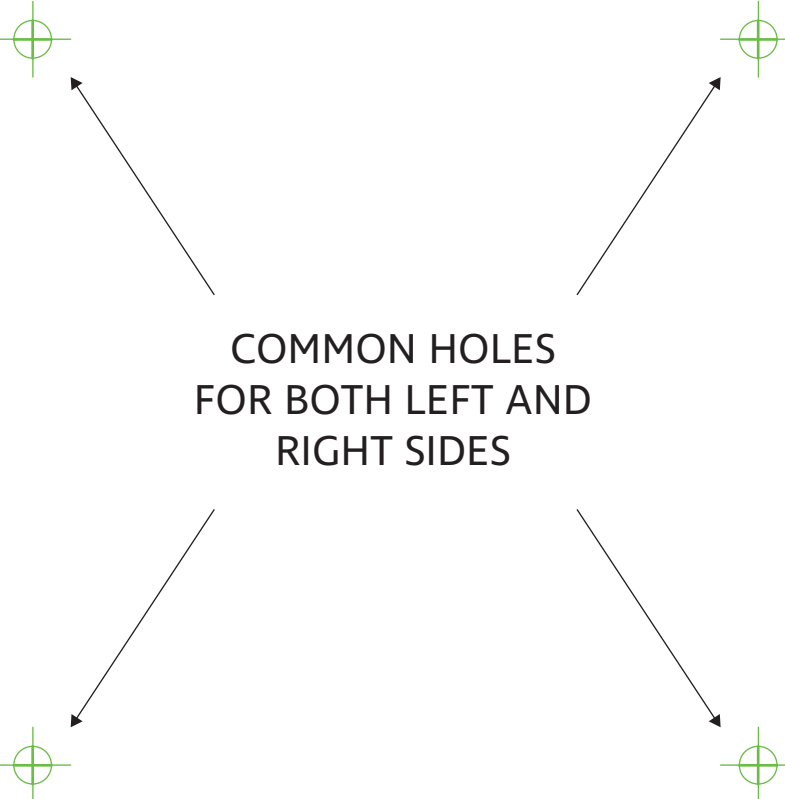


CARCASE SIDE MOUNTING TEMPLATE

TOP

← **DRILL:** Ø 5 x 13mm deep

CARCASE FRONT LEFT



CARCASE FRONT RIGHT

