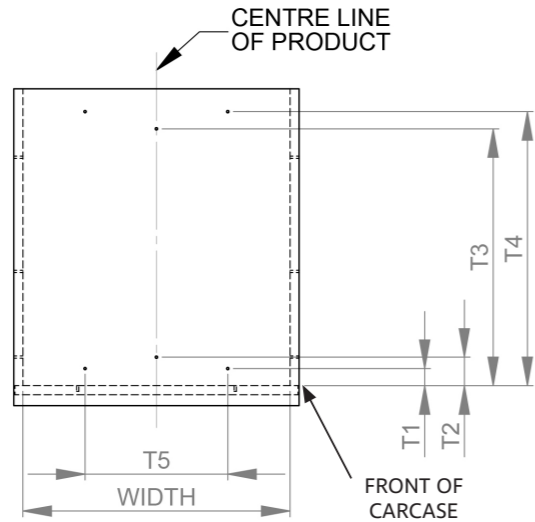
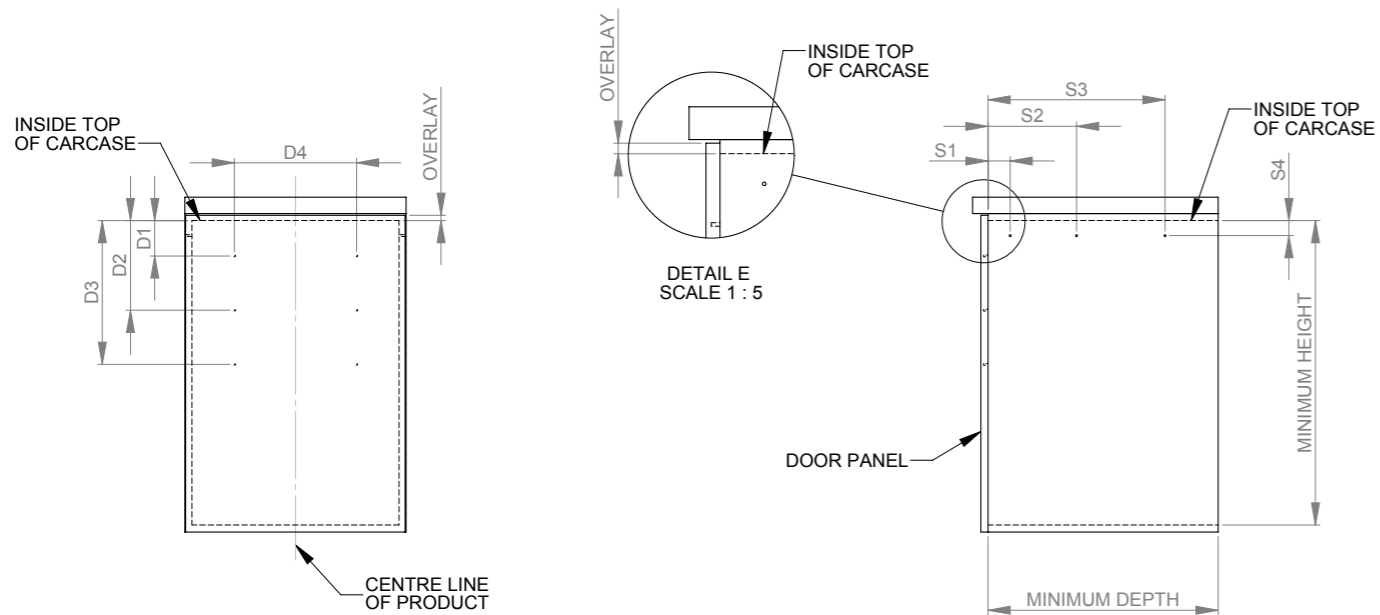


INSTALLATION DIMENSIONS

Model	Width	Height	Depth	T1	T2	T3	T4	T5	S1	S2	S3	S4	D1	D2	D3	D4
KC235SCH	368	615	518	36	56	470	486	300	40	168	477	60	-	-	-	-
KC235SCD	368	615	518	36	56	470	486	300	40	168	477	60	74	178	283	280
KC240SCH	418	615	518	36	56	474	486	350	40	168	477	52	-	-	-	-
KC240SCD	418	615	518	36	56	474	486	350	40	168	477	52	71	175	280	320



TOP VIEW



FRONT VIEW

SIDE VIEW



READ ALL INSTRUCTIONS BEFORE INSTALLING THIS BIN UNIT. FAILURE TO INSTALL THE BIN CORRECTLY MAY VOID WARRANTY.

KC235SCH / KC235SCD KC240SCH / KC240SCD INSTALLATION INSTRUCTIONS

IMPORTANT INSTALLATION INFORMATION FOR HANDLE PULL MODELS:

For handle pull models KC235SCH, KC240SCH. The stated product installation width applies to installations where the door fully clears the cabinet opening and may be hinge dependent. The top hinge should be a minimum of 150mm from the top of the door panel and additional carcase width may be required.

FASTENER IDENTIFICATION:



16mm Surefix Screw

12mm Surefix Screw

Side Mount Screw



Washer

4mm Allen Key (Door Models Only)

BENCH OVERHANG CLEARANCE:

The Hideaway Compact range has been designed with over extension drawer runners which allow for a maximum bench overhang (listed below), allowing the back bucket to come clear independent of the front bucket. If more bench overhang clearance is required, please mount the bin lower in the cabinet.

- KC235SCH - 40mm
- KC235SCD - 40mm
- KC240SCH - 40mm
- KC240SCD - 40mm

HIDEAWAY NEW ZEALAND 09 426 7456
info@hideawaybins.co.nz / hideawaybins.co.nz

HIDEAWAY AUSTRALIA 1800 042 642
info@hideawaybins.co.nz / hideawaybins.com.au



MEMBERS AND SUPPORTERS OF



INSTALLATION INSTRUCTIONS START HERE

Step 1 – Separate the Runner Components (see Fig 3a & 3b)

- Place the mounting panel upside down on a flat surface.
- Fully extend the runners.
- Find the black levers located on the outer side of both the left and right runner.
- Simultaneously, push the left lever up and the right lever down and pull inner of the runners towards you until it separates completely from the unit. Set runner inner with collar, handle/door bracket attached aside in a safe location.
- Push the outer runners attached to the mounting panel back inside the unit.

Step 2 – Predrill the Carcase

- Refer to the Installation Dimensions on the back page of these instructions.
- Mark out the mounting positions to be used and drill a 2mm hole 10mm deep at each point.

Step 3 – Installing the Mounting Panel in the Carcase

- Position the mounting panel within the carcase.
- Use the 16mm Surefix screws and the washers in top mount locations.
- Use the Side Mount screws in side mount locations.
- Note: A #1 Square Drive or #2 Phillips Drive bit may be used with both the Surefix and Side Mount screws.

Step 4 – Predrilling and Mounting the Door Panel (Door Pull Models Only)

- Mark a vertical centre line down the rear of the door panel.
- Mark the overlay at the top of the door panel.
- With reference to the Installation Dimensions mark the D2 Door Mount positions.
- Drill a 2mm hole 10mm deep at each of the marked positions.
- Position the door bracket on the door panel and align with the predrilled holes.
- Secure the door bracket using a 12mm Surefix screw in each of the 2 vertical slots.

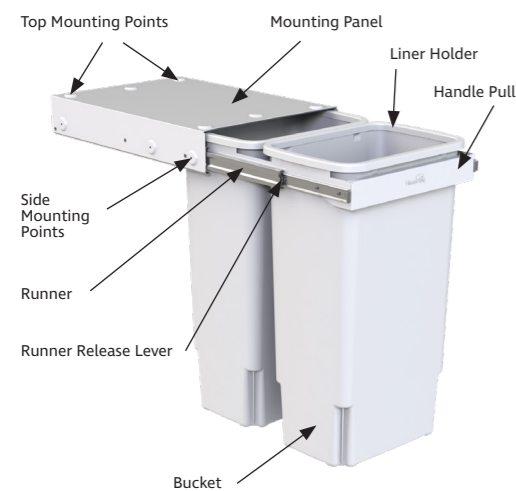


FIG 1 - Bin Parts for Handle Pull Models

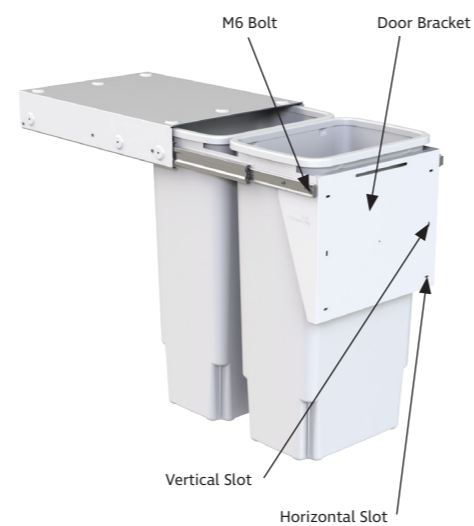


FIG 2 - Bin Parts for Door Pull Models

Step 5 – Reattach the Runners

- Reattach the runner inner – Refer to FIG 4.
 1. Ensure the outer runners attached to the mounting panel are pushed as far as they will go into the unit.
 2. Ensure the inner slider is forward as far as it will go.
 3. Line up the inner runners (with the collar handle/door bracket attached) to the outer runners.
 4. Push the inner runners into position until the unit is fully closed. There may be some resistance when pushing the unit closed but the runner should operate smoothly after reassembly.

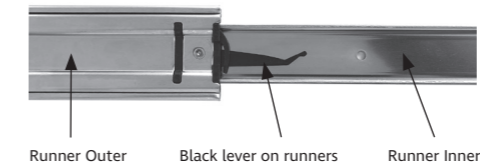
Step 6 – Adjusting the Door Panel (Door Pull Models Only)

- Adjust the angle of the door panel by loosening the two M6 nuts and bolts, moving the door bracket so it is parallel with the carcase and retightening the M6 nuts and bolts.
- Adjust the vertical position of the door panel by loosening the 2 Surefix screws in the vertical slots and moving the panel as required.
- Drill a 2mm pilot hole 10mm deep at the centre of each of the horizontal slots.
- Secure the door panel using 12mm Surefix screws through the 4 horizontal slots. Depending on the amount of adjustment carried out in previous steps it may be necessary to drill additional pilot holes at this stage.
- If required adjust the horizontal position of the door panel by removing the 2 screws in the vertical slots, loosening the screws in the horizontal slots, adjusting the panel position and retightening the screws in the horizontal slots.
- Reinstall the 2 screws into the vertical slots. Additional pilot holes may need to be drilled.

Step 7 – Place the bin bucket(s) into the collar.

- Check that the bin opens and closes smoothly and that there is no contact between the bin and the mounting panel.
- Please leave the Care and Maintenance instructions inside the bucket for the owner.

3a. Runners engaged - push left lever up and right lever down



3b. Runners disengaged - pull the runner inner clear of the outer

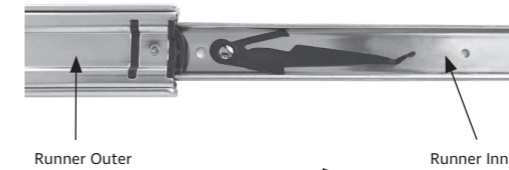


FIG 3a / 3b - Removing Runners

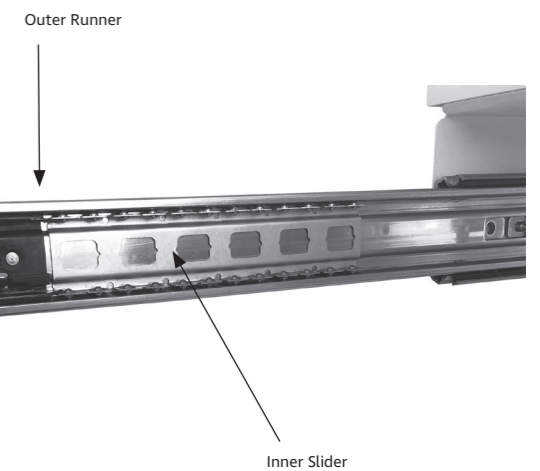


FIG 4